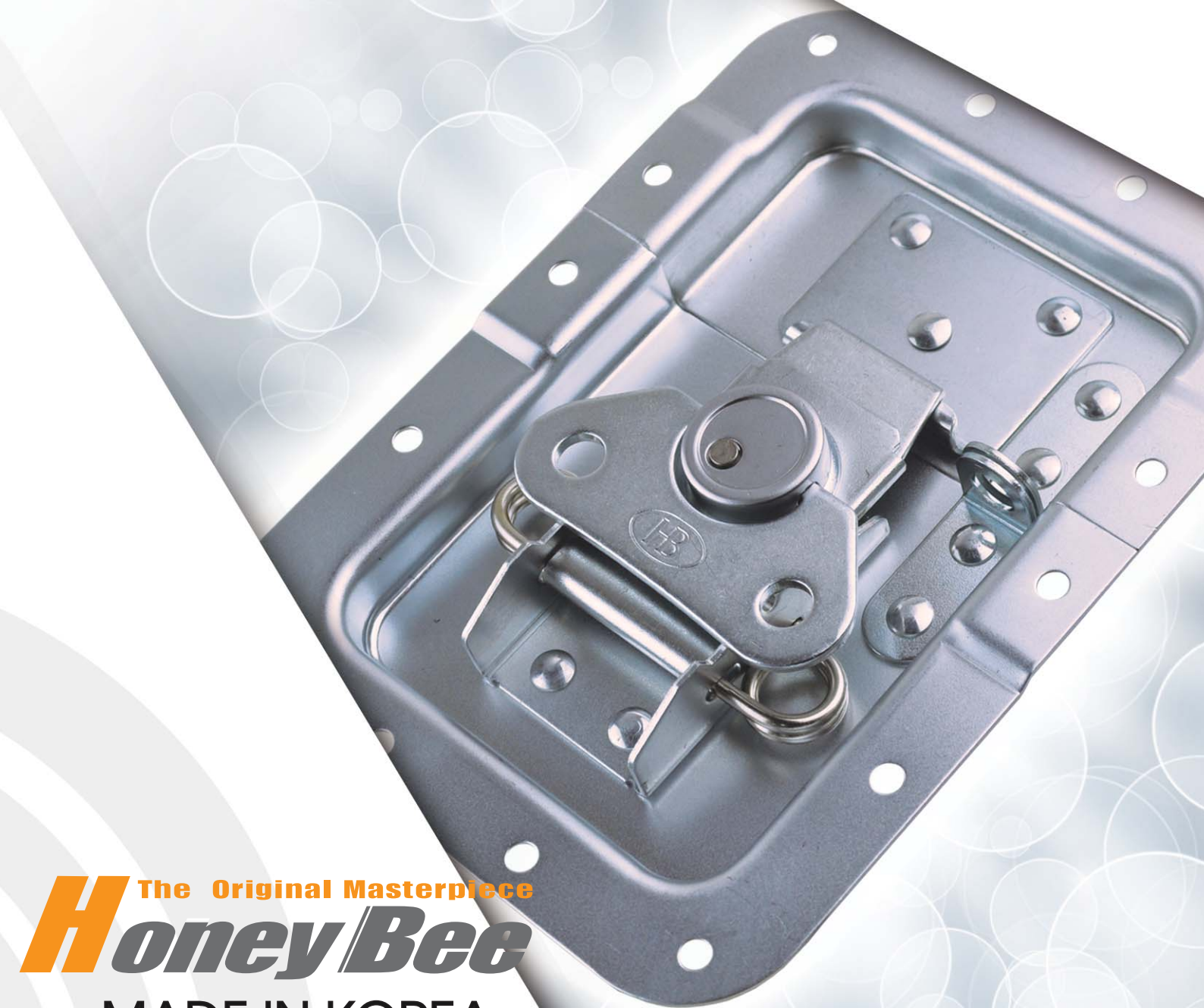


SOLIDPLEX[®]

Flight Case Hardware



The Original Masterpiece
Honey Bee
MADE IN KOREA

Welcome to Joong Ang Metal Co., LTD.

We represent honesty, confidence, and professional technique

Joong Ang Metal Co., Ltd. has been developing and manufacturing innovative electric parts for musical instruments and hardcase parts in Korea since 1988

Your customer satisfaction is our most important task for developing products materials constantly to be able to offer the highest quality.

Thank you.



NAM YEOUL RO/ President

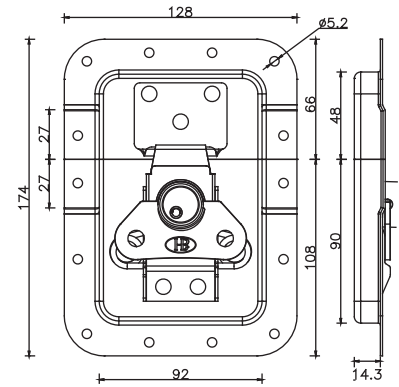
* CONTENTS *

BUTTERFLY CATCH.....	1~7
SMALL CATCH.....	8~14
LARGE HINGE.....	15~16
MIDIUM HINGE.....	17~19
SMALL HINGE	19~22
LARGE CORNER.....	23~36
SMALL CORNER.....	37~38
MIDIUM CORNER.....	38~39
BRACE CORNER.....	40~41
SPRUNG HANDLE.....	42~43
PLASTIC HANDLE.....	44~47
STRAP HANDLE	47~48
OTHER PARTS HARDWARE.....	49~51
ALUMINIUM EXTRUSIONS.....	52
FOAM.....	53~54
CASTORS	55~57
FASTERS, AMP KEY.....	58



BUTTERFLY CATCH
BFC-001

Material: STEEL...
Finish: Zinc, Chrome.....Plated
Weight:455g

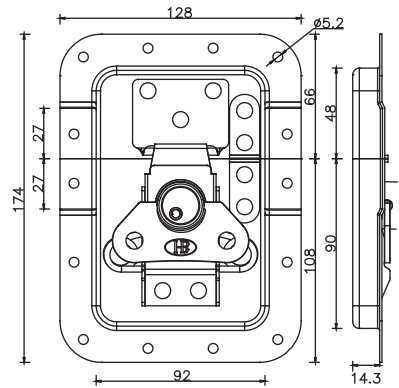


*Dimension: Millimeter



BUTTERFLY CATCH
BFC-002

Material: STEEL...
Finish: Zinc, Chrome.....Plated
Weight:475g

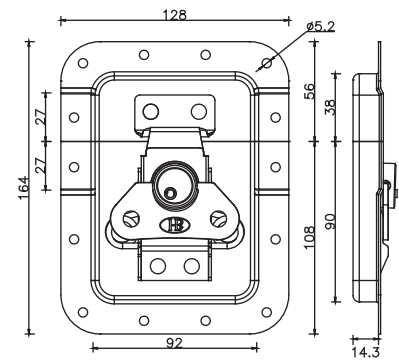


*Dimension: Millimeter



BUTTERFLY CATCH
BFC-003

Material: STEEL...
Finish: Zinc, Chrome.....Plated
Weight:430g

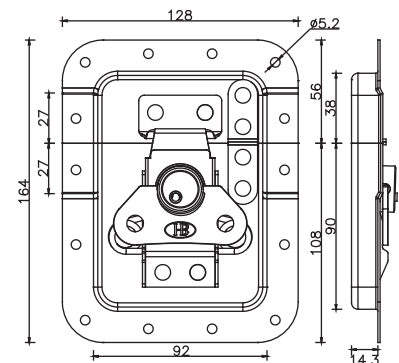


*Dimension: Millimeter



BUTTERFLY CATCH
BFC-004

Material: STEEL...
Finish: Zinc, Chrome.....Plated
Weight:450g

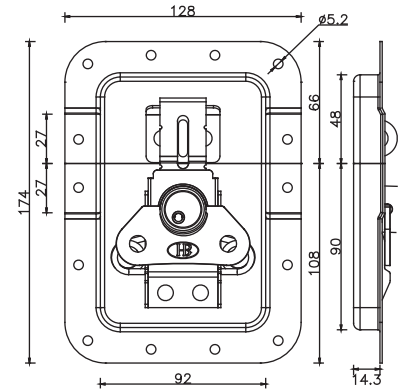


*Dimension: Millimeter



BUTTERFLY CATCH
BFC-005

Material: STEEL...
Finish: Zinc, ChromePlated
Weight: 465g

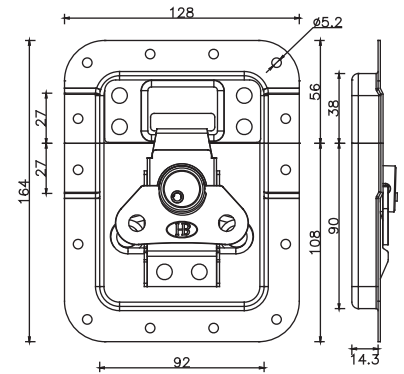


*Dimension: Millimeter



BUTTERFLY CATCH
BFC-006

Material: STEEL...
Finish: Zinc, ChromePlated
Weight: 450g

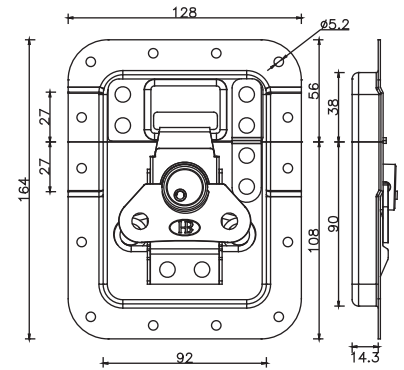


*Dimension: Millimeter



BUTTERFLY CATCH
BFC-007

Material: STEEL...
Finish: Zinc, ChromePlated
Weight: 470g

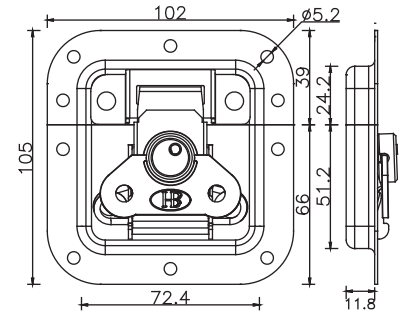


*Dimension: Millimeter



BUTTERFLY CATCH
SBFC-001

Material: STEEL...
Finish: Zinc, ChromePlated
Weight:240g

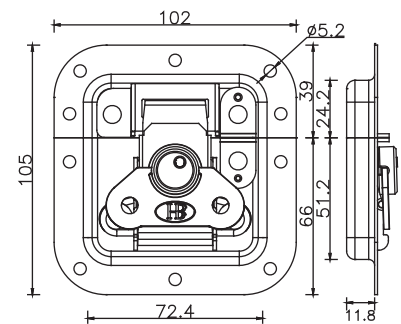


*Dimension: Millimeter



BUTTERFLY CATCH
SBFC-002

Material: STEEL...
Finish: Zinc, ChromePlated
Weight:250g

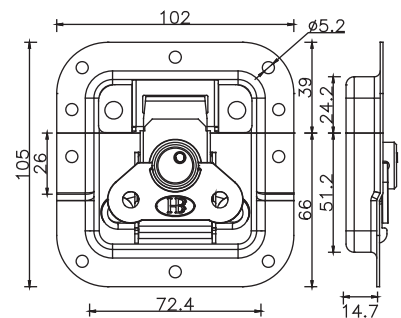


*Dimension: Millimeter



BUTTERFLY CATCH
SBFC-003

Material: STEEL...
Finish: Zinc, ChromePlated
Weight:240g

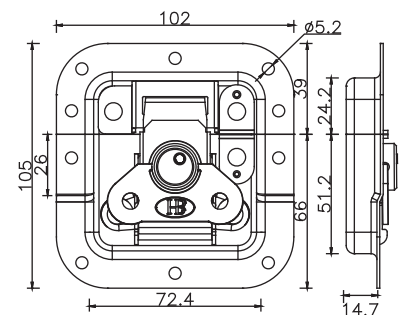


*Dimension: Millimeter

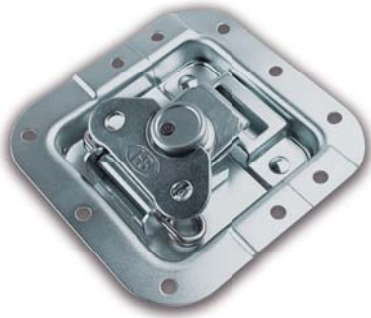


BUTTERFLY CATCH
SBFC-004

Material: STEEL...
Finish: Zinc, ChromePlated
Weight:250g

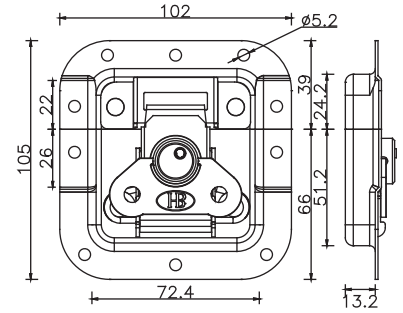


*Dimension: Millimeter



BUTTERFLY CATCH
SBFC-005

Material: STEEL...
Finish: Zinc, ChromePlated
Weight:240g

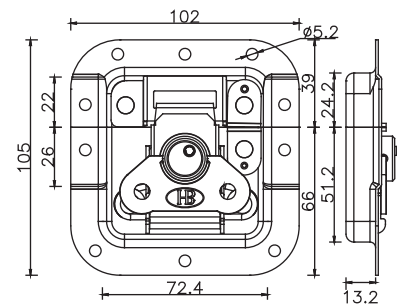


*Dimension: Millimeter



BUTTERFLY CATCH
SBFC-006

Material: STEEL...
Finish: Zinc, ChromePlated
Weight:250g

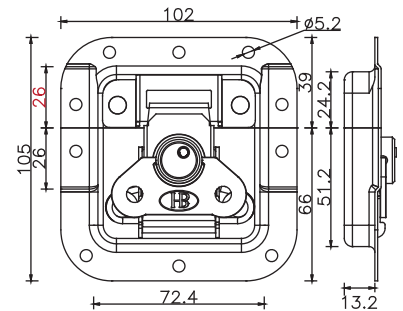


*Dimension: Millimeter



BUTTERFLY CATCH
SBFC-007

Material: STEEL...
Finish: Zinc, ChromPlated
Weight:240g

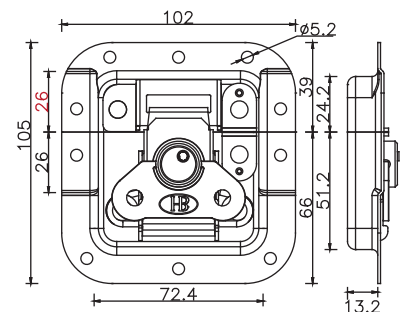


*Dimension: Millimeter



BUTTERFLY CATCH
SBFC-008

Material: STEEL...
Finish: Zinc, ChromePlated
Weight:250g

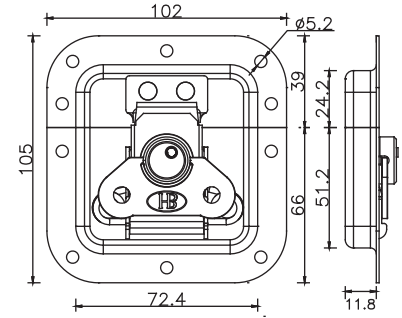


*Dimension: Millimeter



BUTTERFLY CATCH
SBFC-009

Material: STEEL...
Finish: Zinc, ChromePlated
Weight:235g

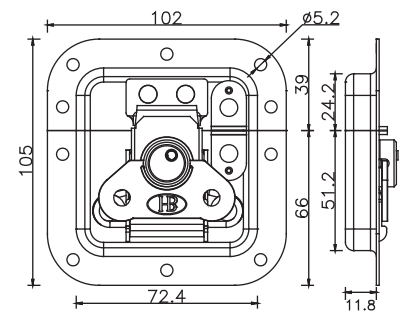


*Dimension: Millimeter



BUTTERFLY CATCH
SBFC-010

Material: STEEL...
Finish: Zinc, ChromePlated
Weight:240g

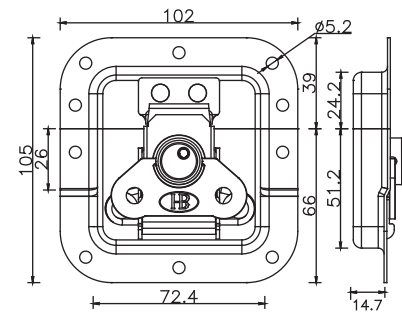


*Dimension: Millimeter



BUTTERFLY CATCH
SBFC-011

Material: STEEL...
Finish: Zinc, ChromePlated
Weight:235g

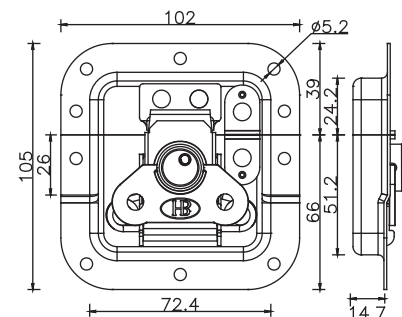


*Dimension: Millimeter



BUTTERFLY CATCH
SBFC-012

Material: STEEL...
Finish: Zinc, Chrome.....Plated
Weight:240g

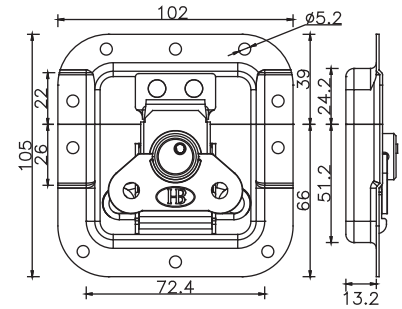


*Dimension: Millimeter



BUTTERFLY CATCH
SBFC-013

Material: STEEL...
Finish: Zinc, Chrome.....Plated
Weight:235g

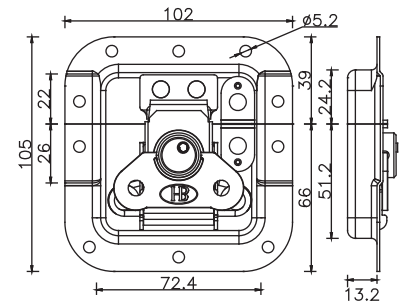


*Dimension: Millimeter



BUTTERFLY CATCH
SBFC-014

Material: STEEL...
Finish: Zinc, ChromePlated
Weight:240g

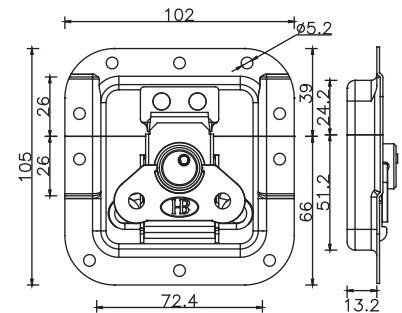


*Dimension: Millimeter



BUTTERFLY CATCH
SBFC-015

Material: STEEL...
Finish: Zinc, Chrome.....Plated
Weight:235g

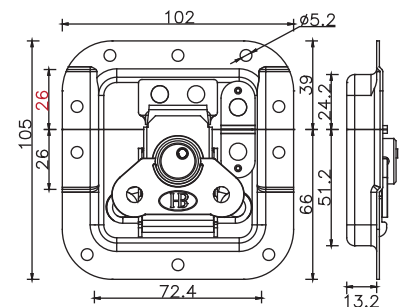


*Dimension: Millimeter



BUTTERFLY CATCH
SBFC-016

Material: STEEL...
Finish: Zinc, Chrome.....Plated
Weight:240g

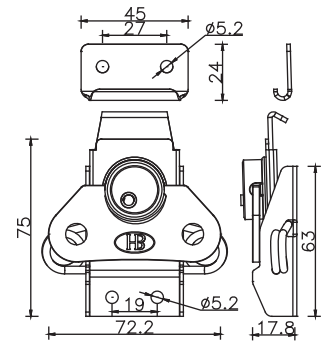


*Dimension: Millimeter



BUTTERFLY CATCH
SFC-001

Material: STEEL...
Finish: Zinc, Chrome.....Plated
Weight: 190g

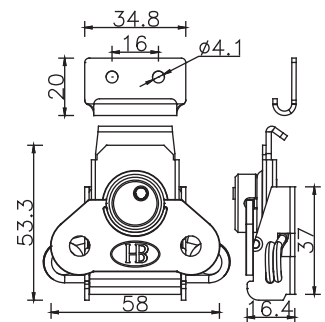


*Dimension: Millimeter



BUTTERFLY CATCH
SFC-002

Material: STEEL...
Finish: Zinc, Chrome.....Plated
Weight: 110g

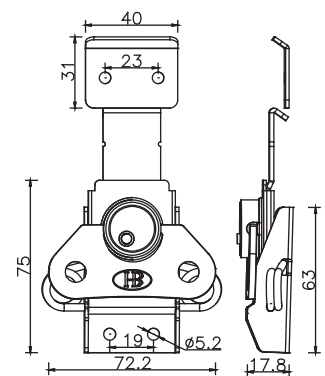


*Dimension: Millimeter



BUTTERFLY CATCH
SFC-003

Material: STEEL...
Finish: Zinc, ChromePlated
Weight: 187.5g

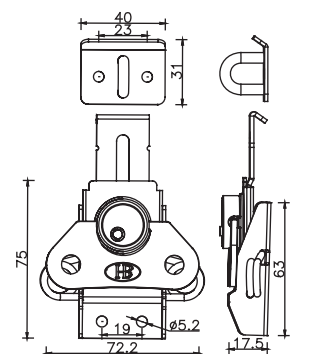


*Dimension: Millimeter



BUTTERFLY CATCH
SFC-004

Material: STEEL...
Finish: Zinc, Chrome.....Plated
Weight: 214.5g

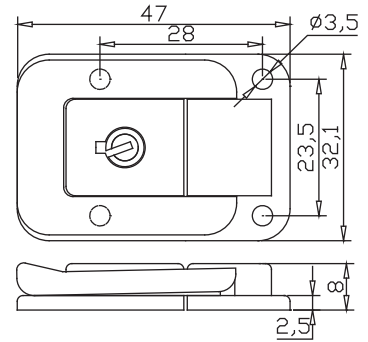


*Dimension: Millimeter



SMALL CATCH SMC-001

Material: STEEL...
Finish: Chrome, Gold, BlackPlated
Weight: 20.1g

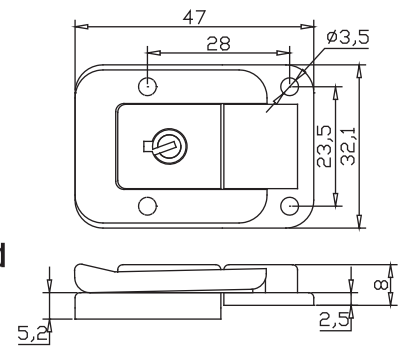


*Dimension: Millimeter



SMALL CATCH SMC-002

Material: STEEL...
Finish: Chrome, Gold, BlackPlated
Weight: 28.3g

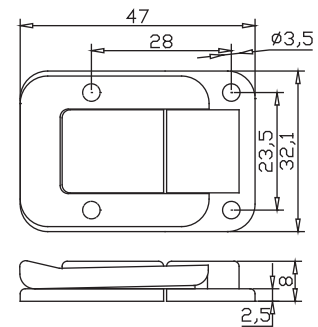


*Dimension: Millimeter



SMALL CATCH SMC-003

Material: STEEL...
Finish: Chrome, Gold, BlackPlated
Weight: 17.5g

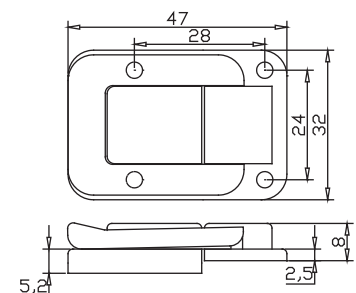


*Dimension: Millimeter



SMALL CATCH SMC-004

Material: STEEL...
Finish: Chrome, Gold, BlackPlated
Weight: 25.7g

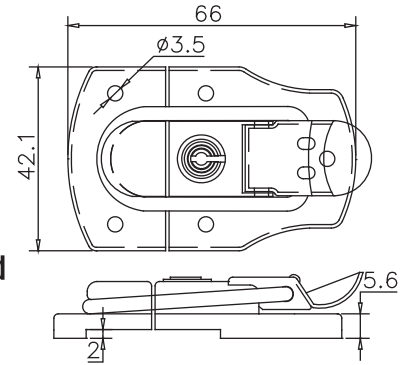


*Dimension: Millimeter



SMALL CATCH
SMC-005

Material: STEEL...
Finish: Chrome, Gold, BlackPlated
Weight: 44.9g

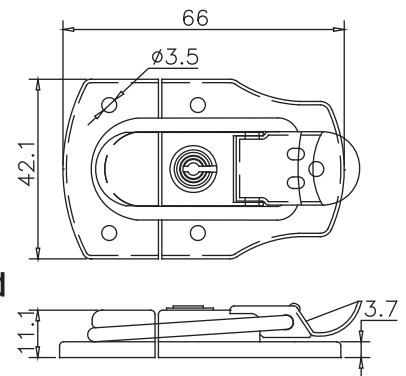


*Dimension: Millimeter



SMALL CATCH
SMC-006

Material: STEEL...
Finish: Chrome, Gold, BlackPlated
Weight: 42.1g

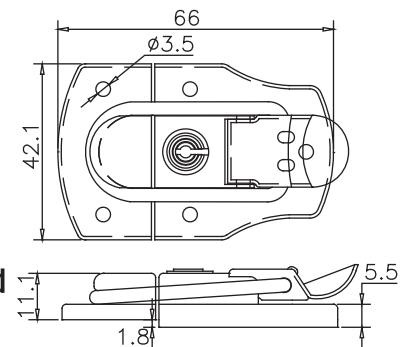


*Dimension: Millimeter



SMALL CATCH
SMC-007

Material: STEEL...
Finish: Chrome, Gold, BlackPlated
Weight: 41.9g

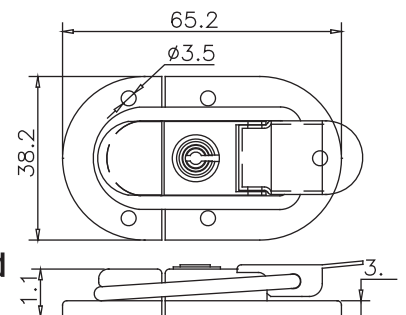


*Dimension: Millimeter



SMALL CATCH
SMC-008

Material: STEEL...
Finish: Chrome, Gold, BlackPlated
Weight: 39.7g

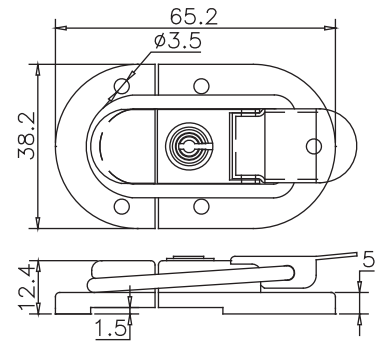


*Dimension: Millimeter



SMALL CATCH
SMC-009

Material: STEEL...
Finish: Chrome, Gold, BlackPlated
Weight: 40.2g

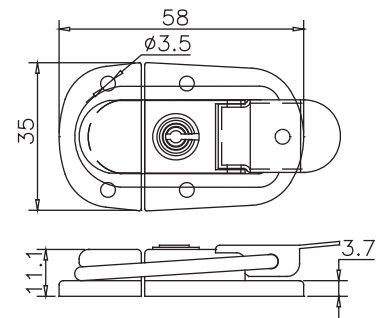


*Dimension: Millimeter



SMALL CATCH
SMC-010

Material: STEEL...
Finish: Chrome, Gold, BlackPlated
Weight: 39.7g

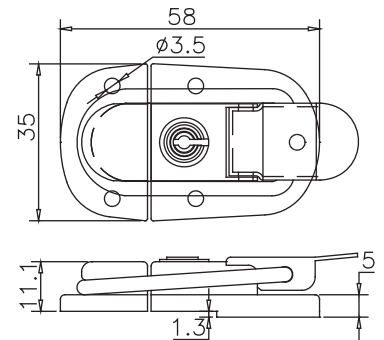


*Dimension: Millimeter



SMALL CATCH
SMC-011

Material: STEEL...
Finish: Chrome, Gold, BlackPlated
Weight: 37.7g

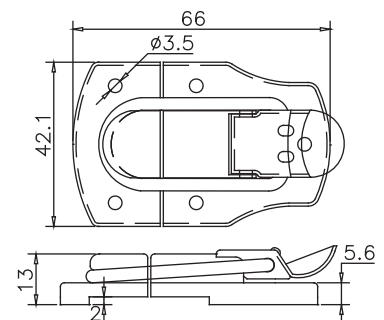


*Dimension: Millimeter



SMALL CATCH
SMC-012

Material: STEEL...
Finish: Chrome, Gold, BlackPlated
Weight: 34g

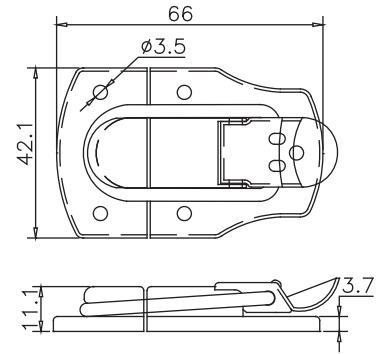


*Dimension: Millimeter



SMALL CATCH
SMC-013

Material: STEEL...
Finish: Chrome, Gold, BlackPlated
Weight: 41.7g

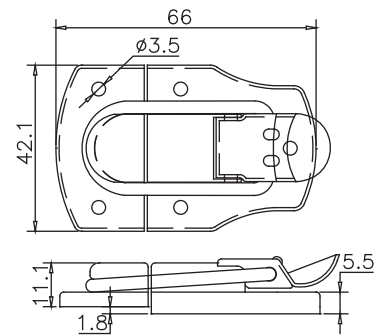


*Dimension: Millimeter



SMALL CATCH
SMC-014

Material: STEEL...
Finish: Chrome, Gold, BlackPlated
Weight: 42.7g

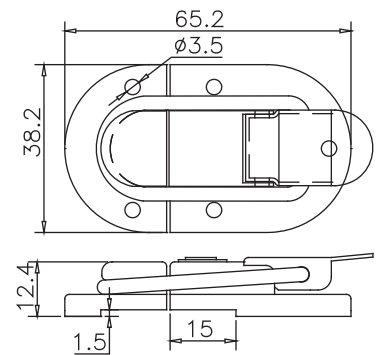


*Dimension: Millimeter



SMALL CATCH
SMC-015

Material: STEEL...
Finish: Chrome, Gold, BlackPlated
Weight: 38.7g

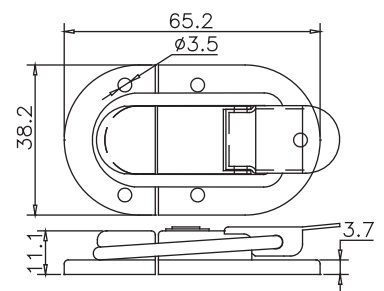


*Dimension: Millimeter



SMALL CATCH
SMC-016

Material: STEEL...
Finish: Chrome, Gold, BlackPlated
Weight: 37.6g

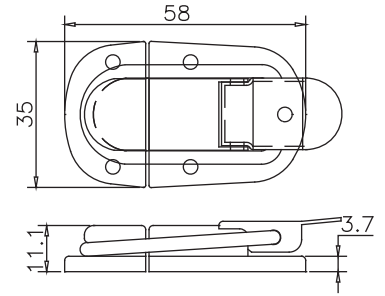


*Dimension: Millimeter



SMALL CATCH
SMC-017

Material: STEEL...
Finish: Chrome, Gold, BlackPlated
Weight: 35.1g

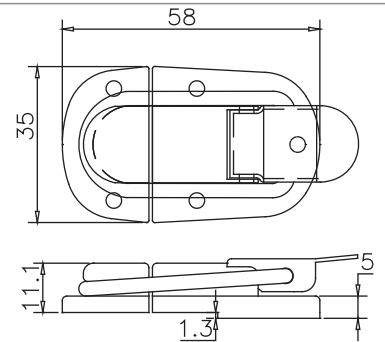


*Dimension: Millimeter



SMALL CATCH
SMC-018

Material: STEEL...
Finish: Chrome, Gold, BlackPlated
Weight: 34.8g

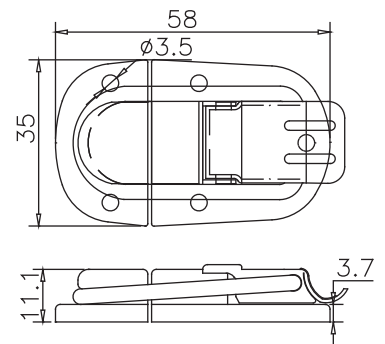


*Dimension: Millimeter



SMALL CATCH
SMC-019

Material: STEEL...
Finish: Chrome, Gold, BlackPlated
Weight: 33.9g

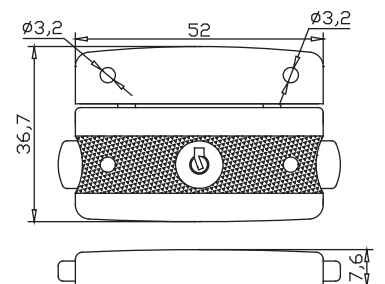


*Dimension: Millimeter



SMALL CATCH
SMC-020

Material: Zinc Alloy Diecasting, STEEL...
Finish: Chrome, Gold, BlackPlated
Weight: 66.4g

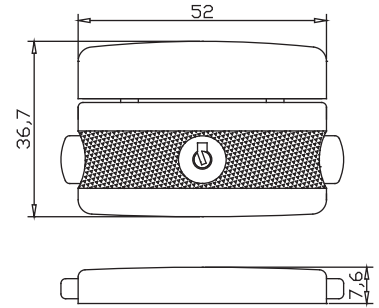


*Dimension: Millimeter



SMALL CATCH
SMC-021

Material: Zinc Alloy Diecasting, STEEL...
Finish: Chrome, Gold, BlackPlated
Weight: 68g

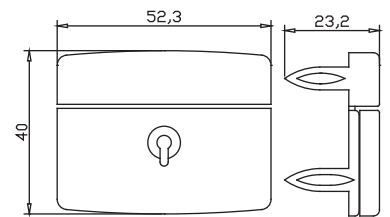


*Dimension: Millimeter



SMALL CATCH
SMC-022

Material: SUS, STEEL...
Finish: Chrome, Gold, BlackPlated
Weight: 37.5g

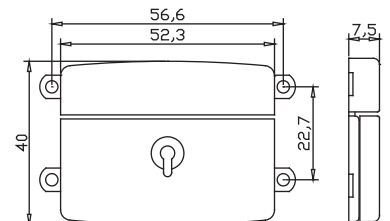


*Dimension: Millimeter



SMALL CATCH
SMC-023

Material: SUS, STEEL...
Finish: Chrome, Gold, BlackPlated
Weight: 36.7g

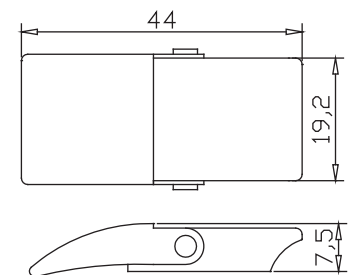


*Dimension: Millimeter



SMALL CATCH
SMC-024

Material: STEEL...
Finish: Chrome, Gold, BlackPlated
Weight: 12.1g

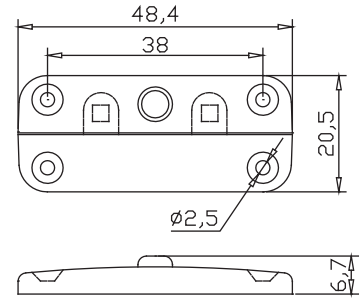


*Dimension: Millimeter



SMALL CATCH
SMC-025

Material: STEEL...
Finish: Chrome, Gold, BlackPlated
Weight: 12.1g

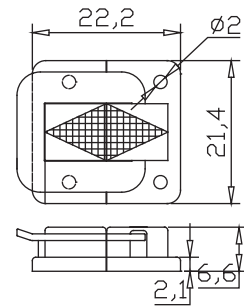


*Dimension: Millimeter



SMALL CATCH
SMC-026

Material: STEEL...
Finish: Chrome, Gold, BlackPlated
Weight: 6.4g

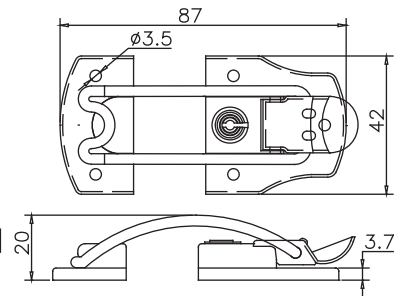


*Dimension: Millimeter



SMALL CATCH
SMC-027

Material: STEEL...
Finish: Chrome, Gold, BlackPlated
Weight: 46.1g

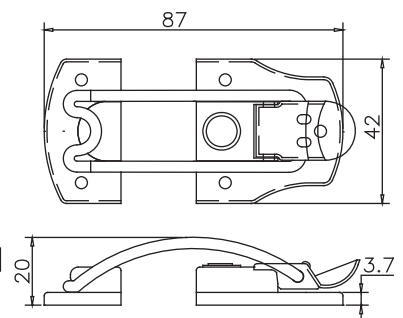


*Dimension: Millimeter



SMALL CATCH
SMC-028

Material: STEEL...
Finish: Chrome, Gold, BlackPlated
Weight: 43.8g

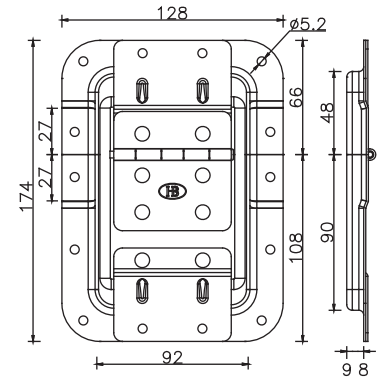


*Dimension: Millimeter



LARGE HINGE
LAH-001

Material: STEEL...
Finish: Zinc, ChromePlated
Weight: 405g

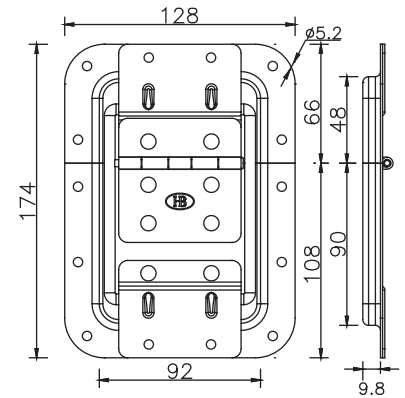


*Dimension: Millimeter

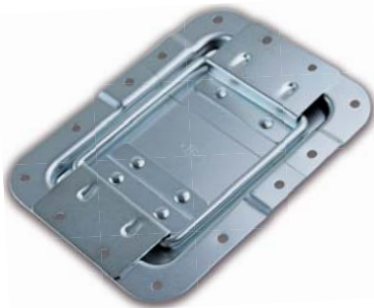


LARGE HINGE
LAH-002

Material: STEEL...
Finish: Zinc, ChromePlated
Weight: 405g

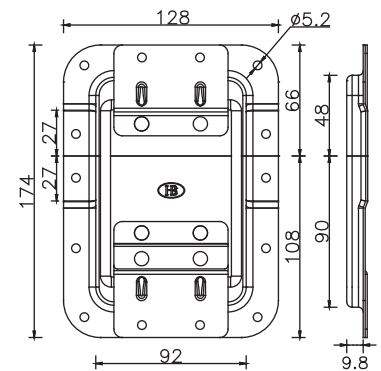


*Dimension: Millimeter



LARGE HINGE
LAH-003

Material: STEEL...
Finish: Zinc, ChromePlated
Weight: 345g

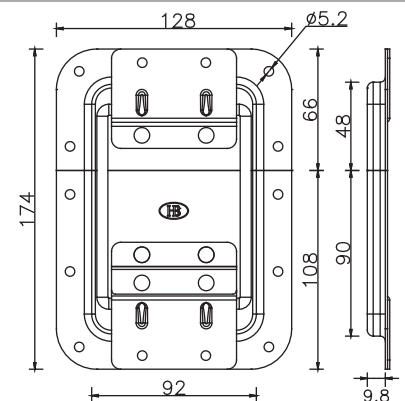


*Dimension: Millimeter



LARGE HINGE
LAH-004

Material: STEEL...
Finish: Zinc, ChromePlated
Weight: 345g

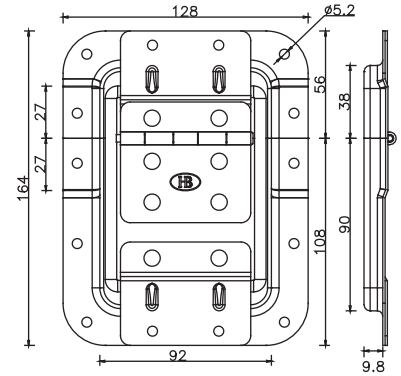


*Dimension: Millimeter

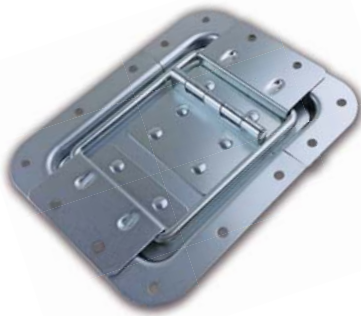


LARGE HINGE
LAH-005

Material: STEEL...
Finish: Zinc, ChromePlated
Weight: 405g

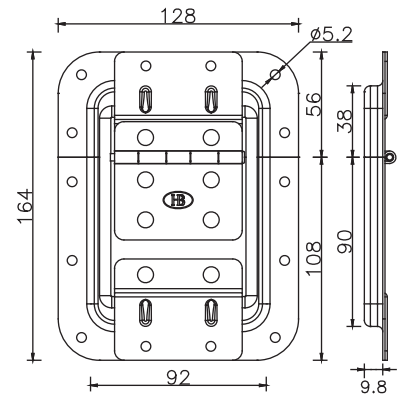


*Dimension: Millimeter



LARGE HINGE
LAH-006

Material: STEEL...
Finish: Zinc, ChromePlated
Weight: 405g

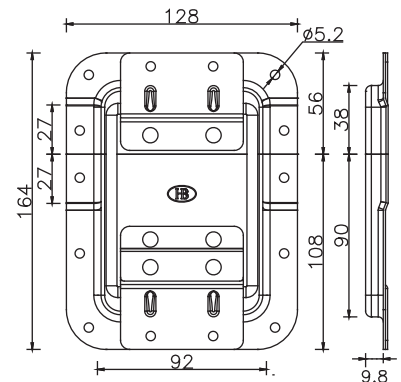


*Dimension: Millimeter



LARGE HINGE
LAH-007

Material: STEEL...
Finish: Zinc, ChromePlated
Weight: 345g

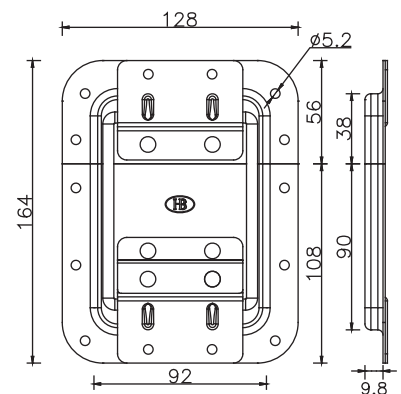


*Dimension: Millimeter



LARGE HINGE
LAH-008

Material: STEEL...
Finish: Zinc, ChromePlated
Weight: 345g

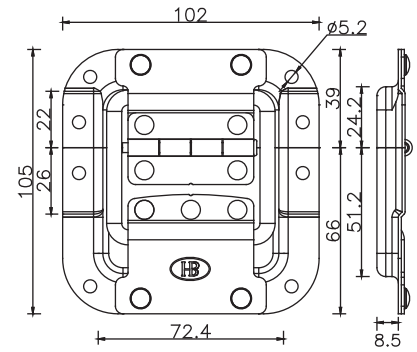


*Dimension: Millimeter



MEDIUM HINGE
LMH-001

Material: STEEL...
Finish: Zinc, Chrome, Black.....Plated
Weight:225g

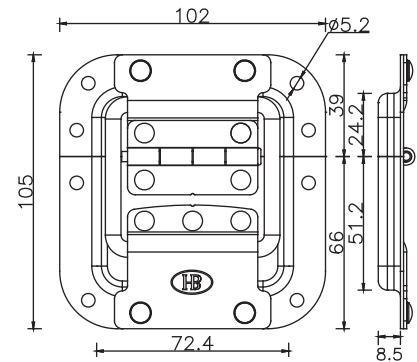


*Dimension: Millimeter



MEDIUM HINGE
LMH-002

Material: STEEL...
Finish: Zinc, Chrome, Black.....Plated
Weight:225g

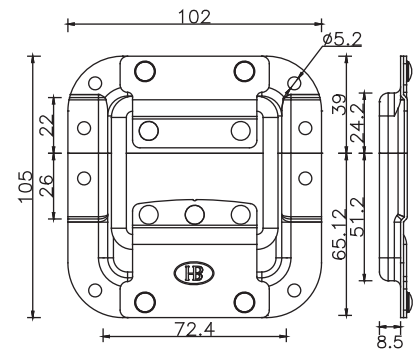


*Dimension: Millimeter



MEDIUM HINGE
LMH-003

Material: STEEL...
Finish: Zinc, Chrome, Black.....Plated
Weight:195g

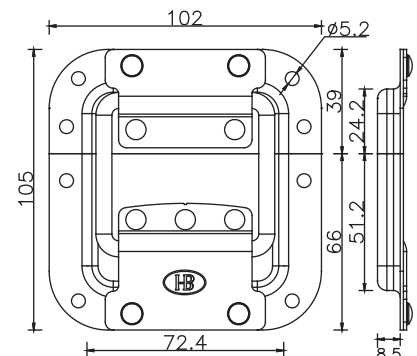


*Dimension: Millimeter



MEDIUM HINGE
LMH-004

Material: STEEL...
Finish: Zinc, Chrome, Black.....Plated
Weight:195g

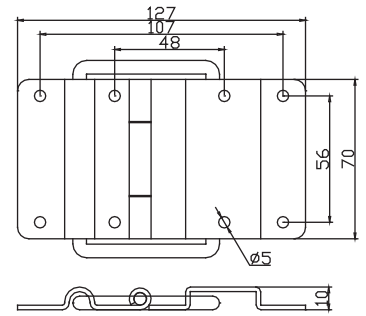


*Dimension: Millimeter



MEDIUM HINGE
MDH-001

Material: STEEL...
Finish: Zinc, Chrome, Black.....Plated
Weight: 281.7g

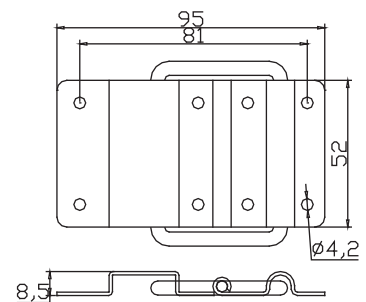


*Dimension: Millimeter



MEDIUM HINGE
MDH-002

Material: STEEL...
Finish: Zinc, Chrome, Black.....Plated
Weight: 95.3g

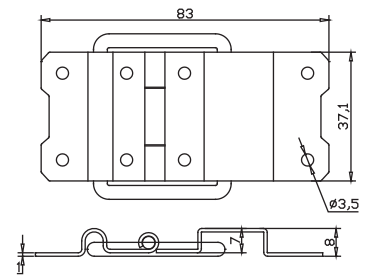


*Dimension: Millimeter



MEDIUM HINGE
MDH-003

Material: STEEL...
Finish: Zinc, Chrome, Black.....Plated
Weight: 48.6g

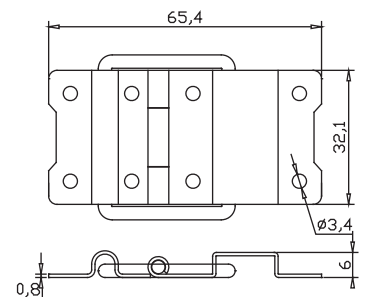


*Dimension: Millimeter



MEDIUM HINGE
MDH-004

Material: STEEL...
Finish: Zinc, Chrome, Black.....Plated
Weight: 27g

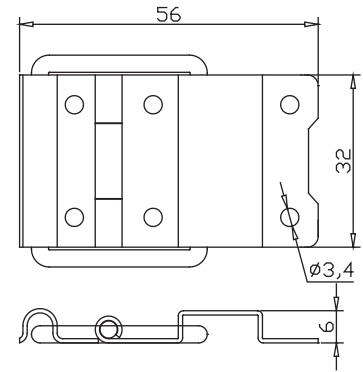


*Dimension: Millimeter



MEDIUM HINGE
MDH-005

Material: STEEL...
Finish: Zinc, Chrome, Black.....Plated
Weight: 25.4g

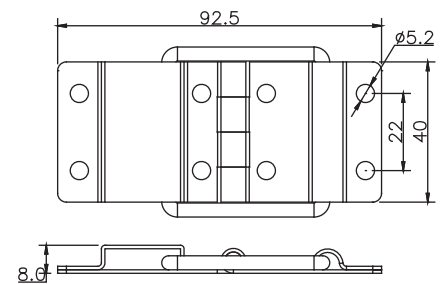


*Dimension: Millimeter



MEDIUM HINGE
MDH-006

Material: STEEL...
Finish: Zinc, Chrome, Black.....Plated
Weight: 86.8g

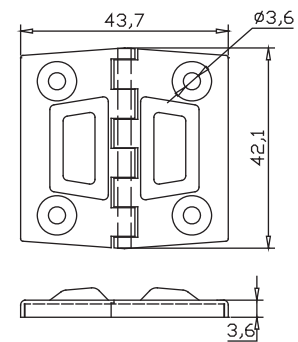


*Dimension: Millimeter



SMALL HINGE
SMH-001

Material: STEEL...
Finish: Zinc, Chrome, Black.....Plated
Weight: 17g

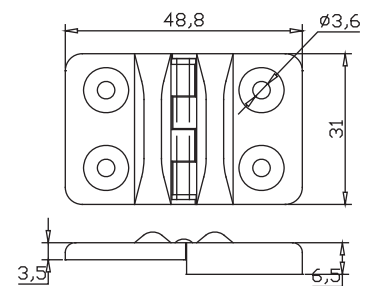


*Dimension: Millimeter



SMALL HINGE
SMH-002

Material: STEEL...
Finish: Zinc, Chrome, Black.....Plated
Weight: 17.7g

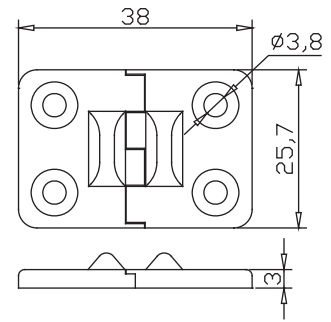


*Dimension: Millimeter



SMALL HINGE
SMH-003

Material: STEEL...
Finish: Zinc, Chrome, Black.....Plated
Weight: 7.1g

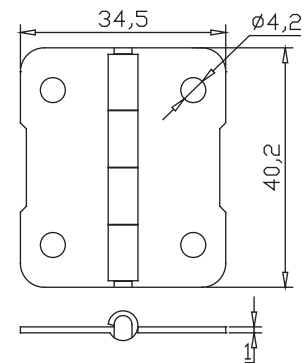


*Dimension: Millimeter



SMALL HINGE
SMH-004

Material: STEEL...
Finish: Zinc, Chrome, Black.....Plated
Weight: 14.5g

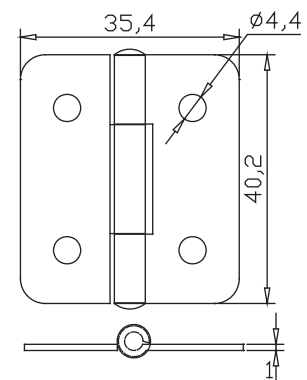


*Dimension: Millimeter



SMALL HINGE
SMH-005

Material: STEEL...
Finish: Zinc, Chrome, Black.....Plated
Weight: 15.5g

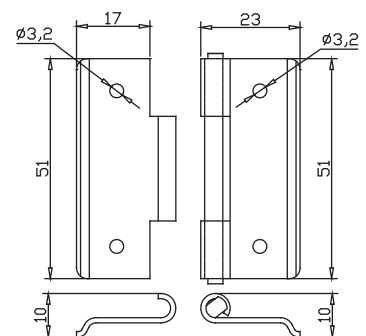


*Dimension: Millimeter



SMALL HINGE
SMH-006

Material: STEEL...
Finish: Zinc, Chrome, Black.....Plated
Weight: 36.7g

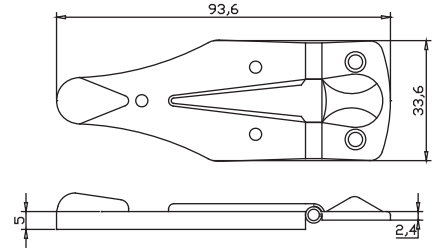


*Dimension: Millimeter



SMALL HINGE
SMH-007

Material: STEEL...
Finish: Zinc, Chrome, Black.....Plated
Weight: 18.3g

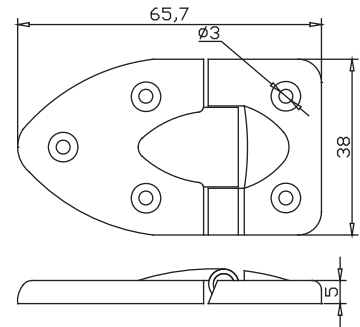


*Dimension: Millimeter



SMALL HINGE
SMH-008

Material: STEEL...
Finish: Zinc, Chrome, Black.....Plated
Weight: 15.7g

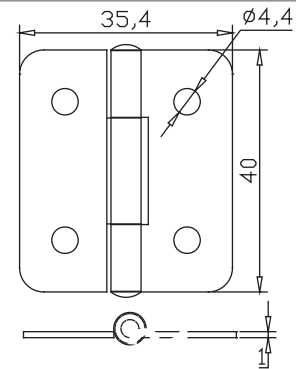


*Dimension: Millimeter



SMALL HINGE
SMH-009

Material: STEEL...
Finish: Zinc, Chrome, Black.....Plated
Weight: 26.2g

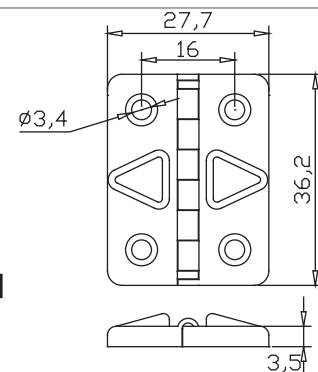


*Dimension: Millimeter



SMALL HINGE
SMH-010

Material: STEEL...
Finish: Zinc, Chrome, Black.....Plated
Weight: 10.1g

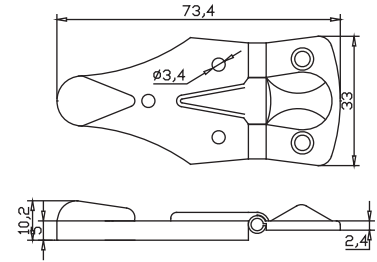


*Dimension: Millimeter



SMALL HINGE
SMH-011

Material: STEEL...
Finish: Zinc, Chrome, Black.....Plated
Weight: 13.2g

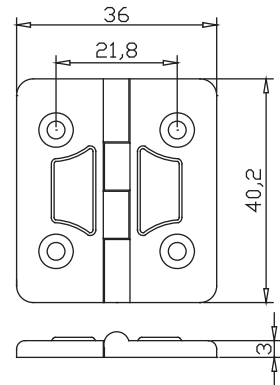


*Dimension: Millimeter



SMALL HINGE
SMH-012

Material: STEEL...
Finish: Zinc, Chrome, Black.....Plated
Weight: 10.2g

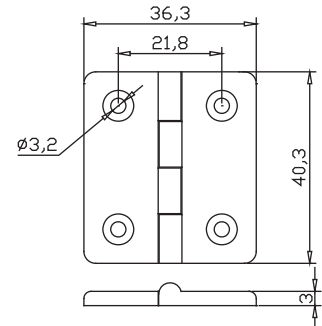


*Dimension: Millimeter



SMALL HINGE
SMH-013

Material: STEEL...
Finish: Zinc, Chrome, Black.....Plated
Weight: 16.8g



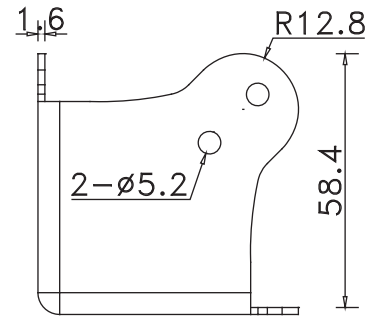
*Dimension: Millimeter

We believe in quality



LARGE CORNER
LCR-001

Material: STEEL 1.6T
Finish: Zinc, Chrome.....Plated
Weight: 100g

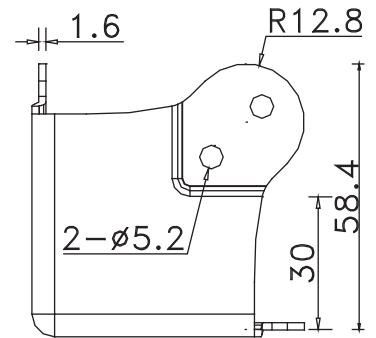


*Dimension: Millimeter



LARGE CORNER
LCR-002

Material: STEEL 1.6T
Finish: Zinc, Chrome.....Plated
Weight: 100g

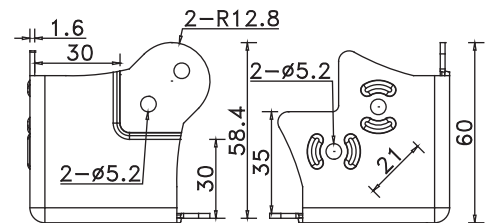


*Dimension: Millimeter



LARGE CORNER
LCR-003

Material: STEEL 1.6T
Finish: Zinc, Chrome.....Plated
Weight: 90g

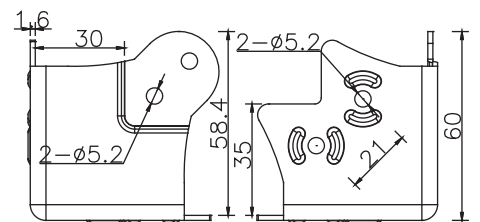


*Dimension: Millimeter



LARGE CORNER
LCR-004

Material: STEEL 1.6T
Finish: Zinc, Chrome.....Plated
Weight: 79.2 g

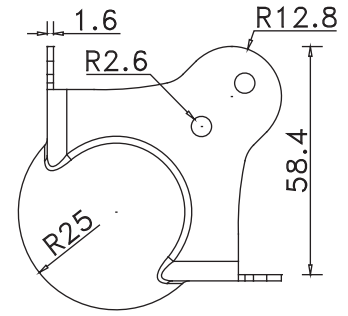


*Dimension: Millimeter



LARGE CORNER
LCR-005

Material: STEEL 1.6T
Finish: Zinc, Chrome.....Plated
Weight: 95g

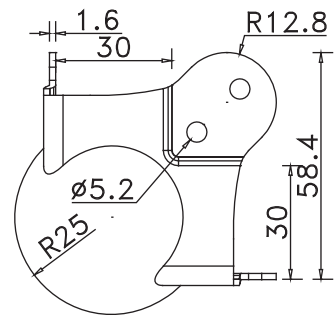


*Dimension: Millimeter



LARGE CORNER
LCR-006

Material: STEEL 1.6T
Finish: Zinc, ChromePlated
Weight: 95g

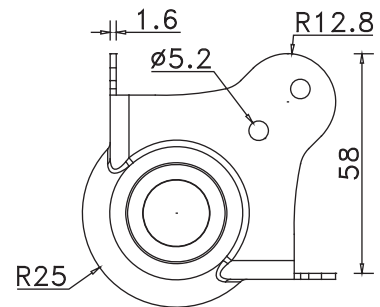


*Dimension: Millimeter



LARGE CORNER
LCR-007

Material: STEEL 1.6T
Finish: Zinc, ChromePlated
Weight: 100g

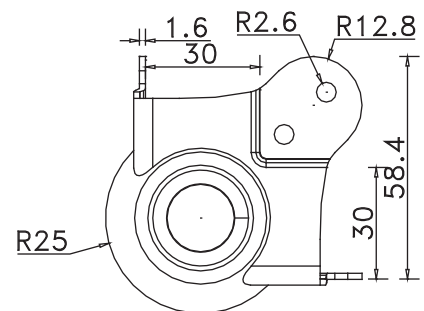


*Dimension: Millimeter



LARGE CORNER
LCR-008

Material: STEEL 1.6T
Finish: Zinc, Chrome.....Plated
Weight: 100g

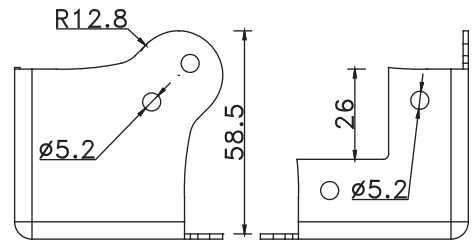


*Dimension: Millimeter



LARGE CORNER
LCR-009

Material: STEEL 1.5T
Finish: Zinc, Chrome.....Plated
Weight: 85g

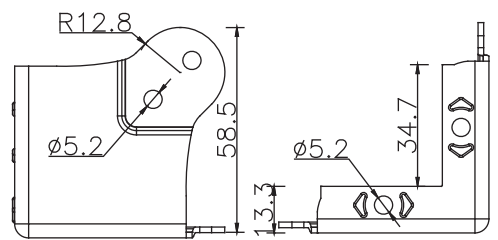


*Dimension: Millimeter



LARGE CORNER
LCR-009-1

Material: STEEL 1.5T
Finish: Zinc, Chrome.....Plated
Weight: 85g

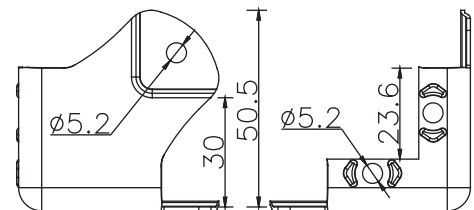


*Dimension: Millimeter



LARGE CORNER
LCR-010

Material: STEEL 1.5T
Finish: Zinc, Chrome.....Plated
Weight: 54.5g

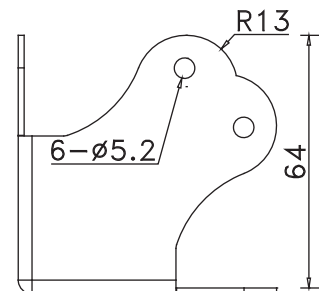


*Dimension: Millimeter



LARGE CORNER
LCR-011

Material: STEEL.1.5 or 2.0T
Finish: Zinc, Chrome.....Plated
Weight:129g

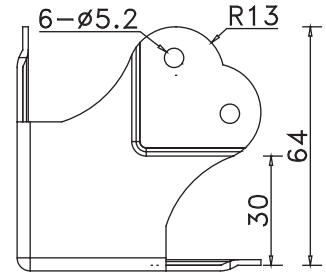


*Dimension: Millimeter



LARGE CORNER
LCR-012

Material: STEEL-1.5 or 2.0T
Finish: Zinc, Chrome.....Plated
Weight:129g

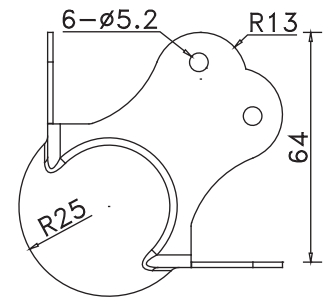


*Dimension: Millimeter



LARGE CORNER
LCR-013

Material: STEEL 1.5 or 2.0T
Finish: Zinc, Chrome.....Plated
Weight:129g

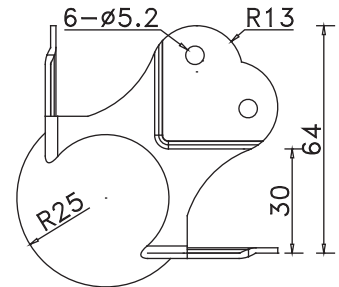


*Dimension: Millimeter



LARGE CORNER
LCR-014

Material: STEEL 1.5 or 2.0T
Finish: Zinc, Chrome.....Plated
Weight:129g

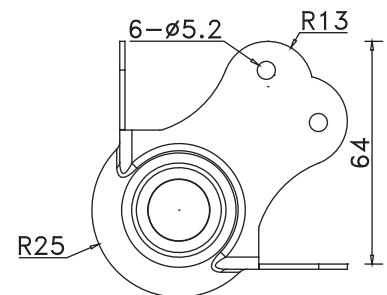


*Dimension: Millimeter



LARGE CORNER
LCR-015

Material: STEEL 1.5 or 2.0T
Finish: Zinc, Chrome.....Plated
Weight:129g

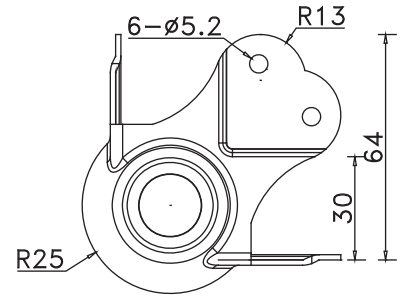


*Dimension: Millimeter



LARGE CORNER
LCR-016

Material: STEEL 1.5 or 2.0T
Finish: Zinc, ChromePlated
Weight: 129g

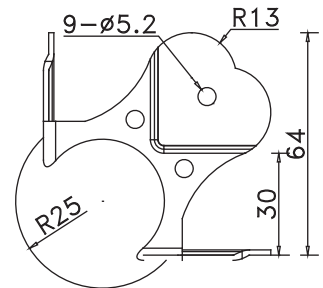


*Dimension: Millimeter

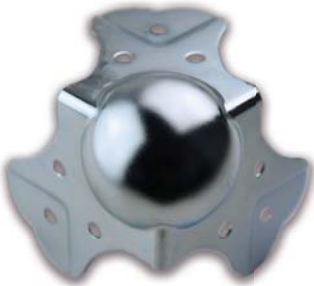


LARGE CORNER
LCR-017

Material: STEEL 1.5 or 2.0T
Finish: Zinc, ChromePlated
Weight: 125g

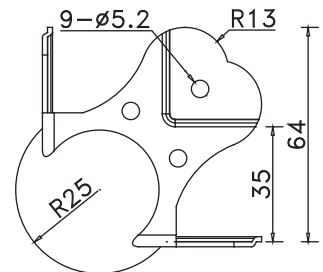


*Dimension: Millimeter



LARGE CORNER
LCR-018

Material: STEEL 1.5 or 2.0T
Finish: Zinc, ChromePlated
Weight: 125g

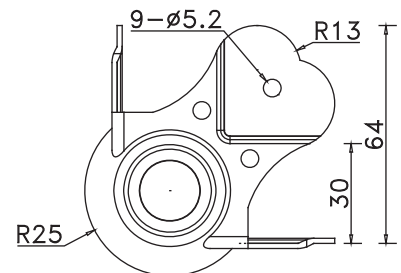


*Dimension: Millimeter



LARGE CORNER
LCR-019

Material: STEEL 1.5 or 2.0T
Finish: Zinc, ChromePlated
Weight: 125g

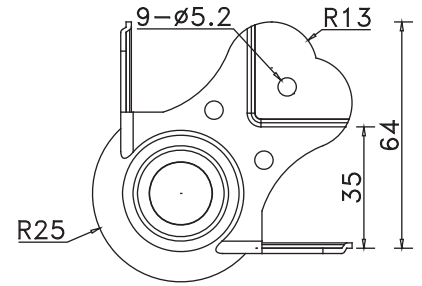


*Dimension: Millimeter



LARGE CORNER
LCR-020

Material: STEEL 1.5 or 2.0T
Finish: Zinc, Chrome.....Plated
Weight: 125g

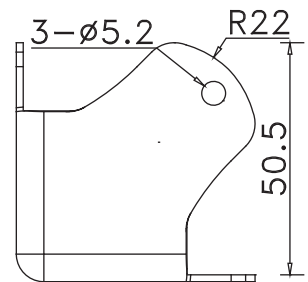


*Dimension: Millimeter



LARGE CORNER
LCR-021

Material: STEEL 1.5T
Finish: Zinc, ChromePlated
Weight: 75g

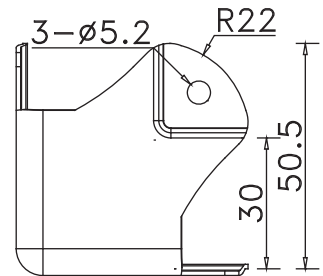


*Dimension: Millimeter



LARGE CORNER
LCR-022

Material: STEEL 1.5T
Finish: Zinc, ChromePlated
Weight: 75g

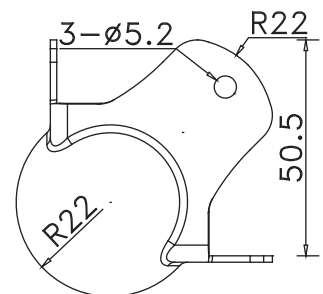


*Dimension: Millimeter



LARGE CORNER
LCR-023

Material: STEEL 1.5T
Finish: Zinc, Chrome.....Plated
Weight: 75g

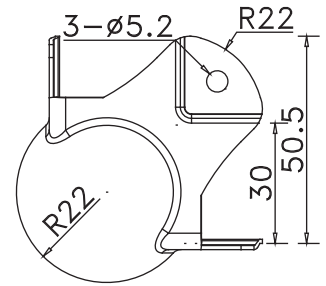


*Dimension: Millimeter



LARGE CORNER
LCR-024

Material: STEEL 1.5T
Finish: Zinc, ChromePlated
Weight: 75g

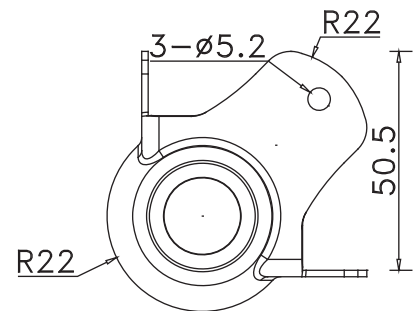


*Dimension: Millimeter



LARGE CORNER
LCR-025

Material: STEEL 1.5T
Finish: Zinc, ChromePlated
Weight: 75g

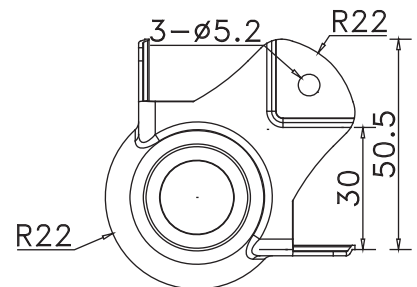


*Dimension: Millimeter



LARGE CORNER
LCR-026

Material: STEEL 1.5T
Finish: Zinc, Chrome.....Plated
Weight: 75g

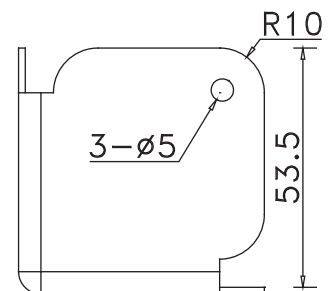


*Dimension: Millimeter



LARGE CORNER
LCR-027

Material: STEEL 1.5T
Finish: Zinc, ChromePlated
Weight: 75g

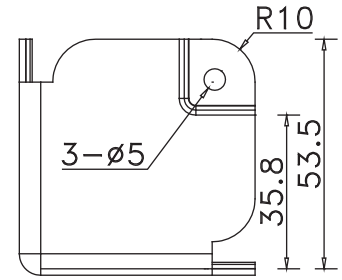


*Dimension: Millimeter



LARGE CORNER
LCR-028

Material: STEEL 1.5T
Finish: Zinc, Chrome.....Plated
Weight: 100g

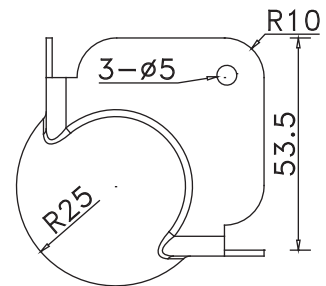


*Dimension: Millimeter



LARGE CORNER
LCR-029

Material: STEEL 1.5T
Finish: Zinc, Chrome.....Plated
Weight: 100g

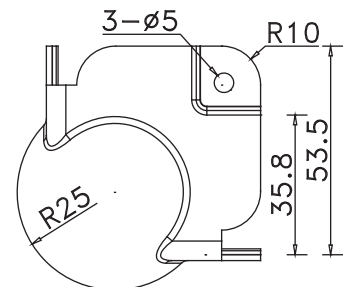


*Dimension: Millimeter



LARGE CORNER
LCR-030

Material: STEEL 1.5T
Finish: Zinc, Chrome.....Plated
Weight: 100g

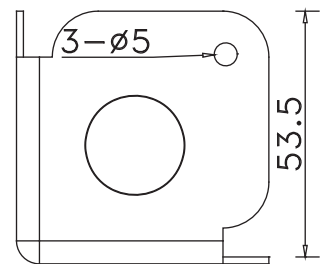


*Dimension: Millimeter



LARGE CORNER
LCR-031

Material: STEEL 1.5T
Finish: Zinc, Chrome.....Plated
Weight: 100g

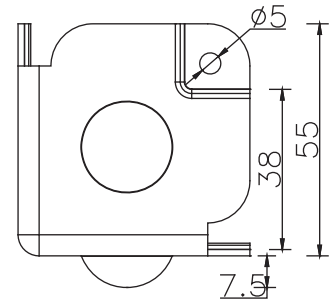


*Dimension: Millimeter



LARGE CORNER
LCR-032

Material: STEEL 1.5T
Finish: Zinc, ChromePlated
Weight: 100g

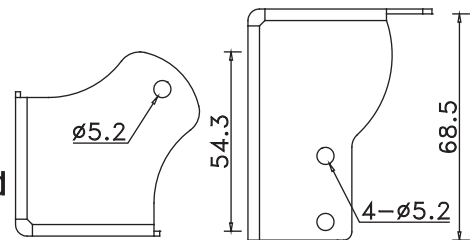


*Dimension: Millimeter



LARGE CORNER
LCR-033

Material: STEEL 1.5T
Finish: Zinc, ChromePlated
Weight: 80.7g

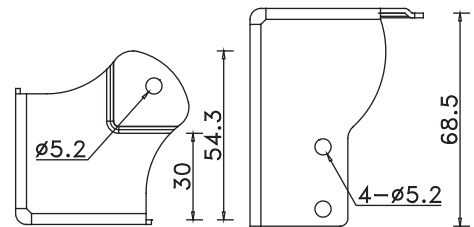


*Dimension: Millimeter



LARGE CORNER
LCR-034

Material: STEEL 1.5T
Finish: Zinc, ChromePlated
Weight: 80.7g

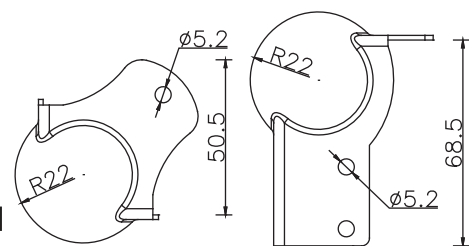


*Dimension: Millimeter



LARGE CORNER
LCR-035

Material: STEEL 1.5T
Finish: Zinc, ChromePlated
Weight: 80.7g



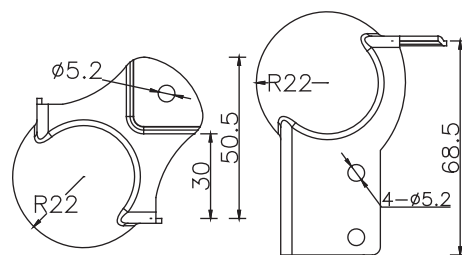
*Dimension: Millimeter



LARGE CORNER

LCR-036

Material: STEEL 1.5T
Finish: Zinc, ChromePlated
Weight:80.6g



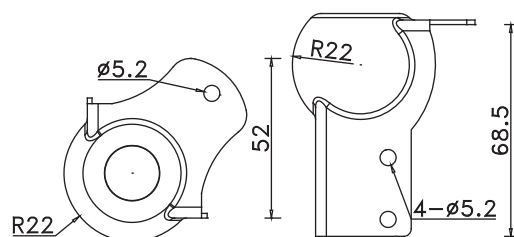
*Dimension: Millimeter



LARGE CORNER

LCR-037

Material: STEEL 1.5T
Finish: Zinc, Chrome.....Plated
Weight:80.6g



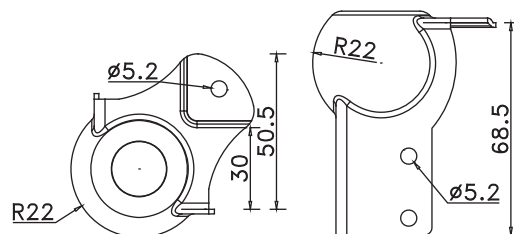
*Dimension: Millimeter



LARGE CORNER

LCR-038

Material: STEEL 1.5T
Finish: Zinc, Chrome.....Plated
Weight:80.6 g



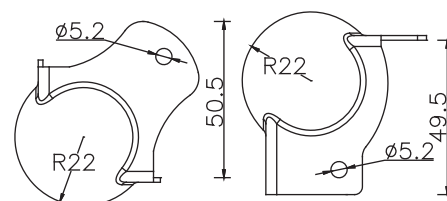
*Dimension: Millimeter



LARGE CORNER

LCR-039

Material: STEEL 1.5T
Finish: Zinc, Chrome.....Plated
Weight:70.9g

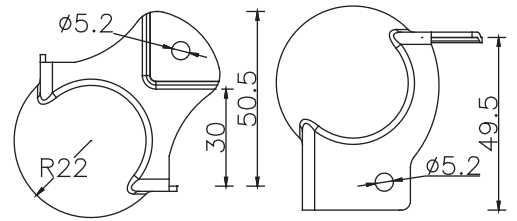


*Dimension: Millimeter



LARGE CORNER
LCR-040

Material: STEEL 1.5T
Finish: Zinc, ChromePlated
Weight: 70.9g

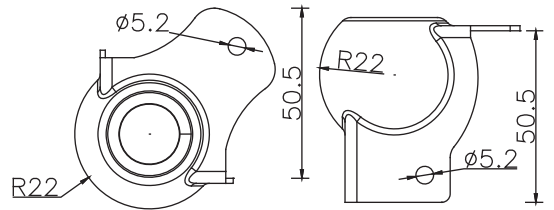


*Dimension: Millimeter



LARGE CORNER
LCR-041

Material: STEEL 1.5T
Finish: Zinc, ChromePlated
Weight: 70.9g

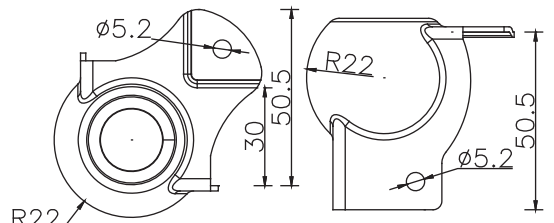


*Dimension: Millimeter



LARGE CORNER
LCR-042

Material: STEEL 1.5T
Finish: Zinc, ChromePlated
Weight: 70.9g

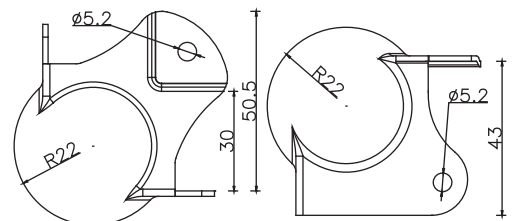


*Dimension: Millimeter



LARGE CORNER
LCR-043

Material: STEEL 1.5T
Finish: Zinc, ChromePlated
Weight: 67.2 g

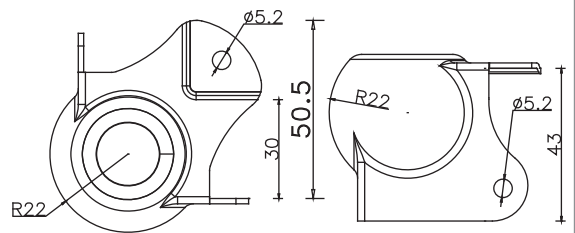


*Dimension: Millimeter



LARGE CORNER
LCR-044

Material: STEEL 1.5T
Finish: Zinc, ChromePlated
Weight: 67.2 g

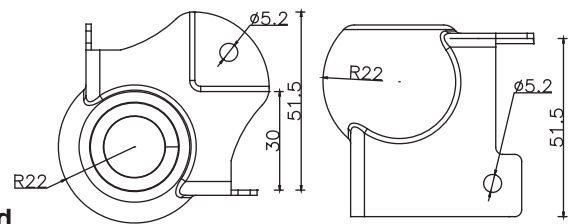


*Dimension: Millimeter



LARGE CORNER
LCR-045

Material: STEEL 1.5T
Finish: Zinc, ChromePlated
Weight: 77.8 g

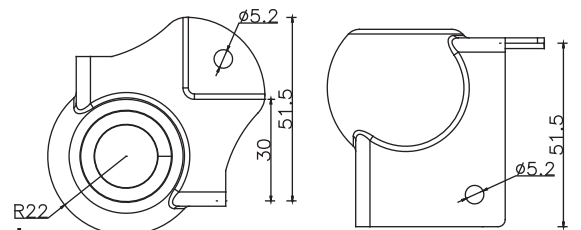


*Dimension: Millimeter



LARGE CORNER
LCR-046

Material: STEEL 1.5T
Finish: Zinc, ChromePlated
Weight: 75.5g

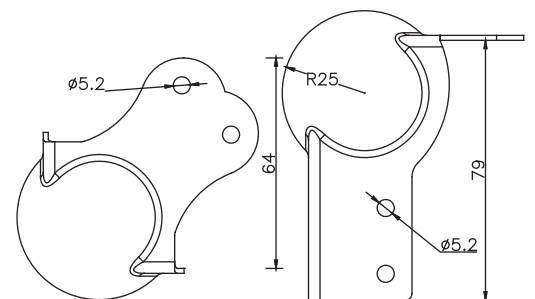


*Dimension: Millimeter



LARGE CORNER
LCR-047

Material: STEEL 1.5T
Finish: Zinc, ChromePlated
Weight: 100g

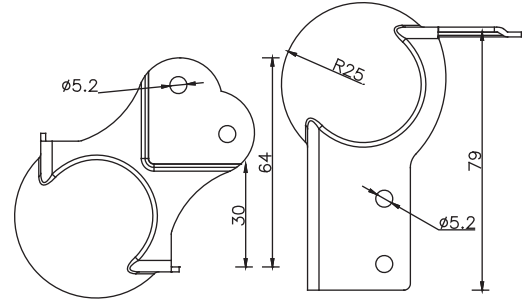


*Dimension: Millimeter



LARGE CORNER
LCR-048

Material: STEEL 1.5T
Finish: Zinc, ChromePlated
Weight: 100g

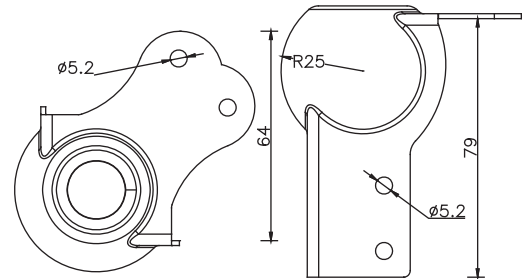


*Dimension: Millimeter



LARGE CORNER
LCR-049

Material: STEEL 1.5T
Finish: Zinc, ChromePlated
Weight: 100g

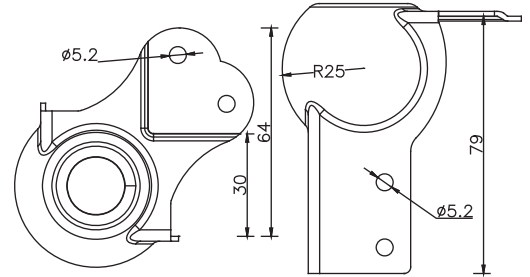


*Dimension: Millimeter



LARGE CORNER
LCR-050

Material: STEEL 1.5T
Finish: Zinc, ChromePlated
Weight: 100g

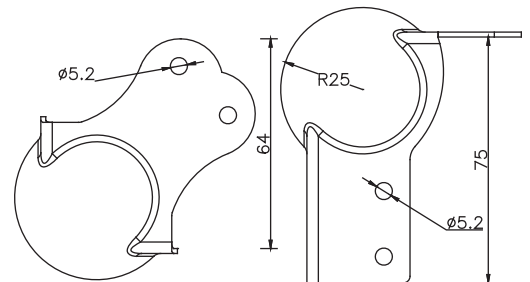


*Dimension: Millimeter



LARGE CORNER
LCR-051

Material: STEEL 1.5T
Finish: Zinc, ChromePlated
Weight: 97.5g

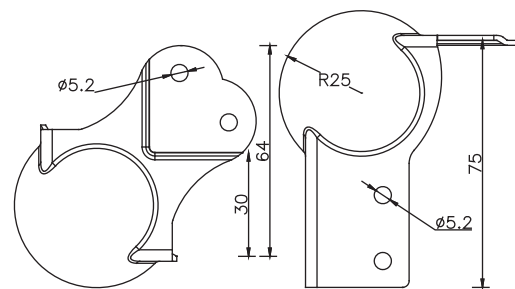


*Dimension: Millimeter



LARGE CORNER
LCR-052

Material: STEEL 1.5T
Finish: Zinc, ChromePlated
Weight: 97.5g

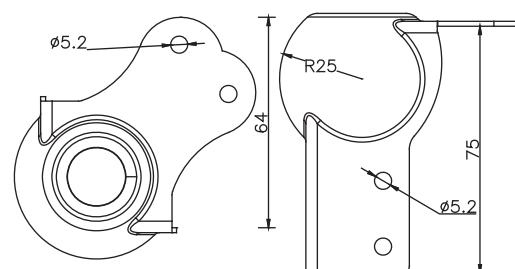


*Dimension: Millimeter



LARGE CORNER
LCR-053

Material: STEEL 1.5T
Finish: Zinc, ChromePlated
Weight: 97.5g

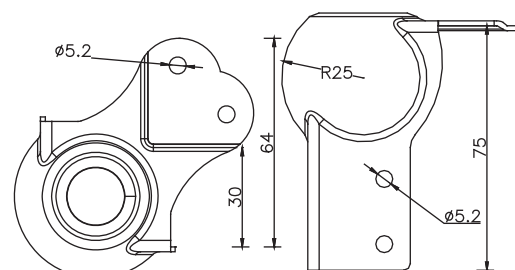


*Dimension: Millimeter

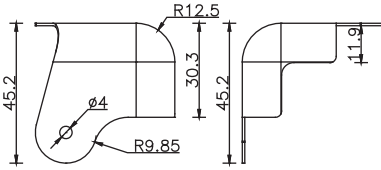


LARGE CORNER
LCR-054

Material: STEEL 1.5T
Finish: Zinc, ChromePlated
Weight: 97.5g



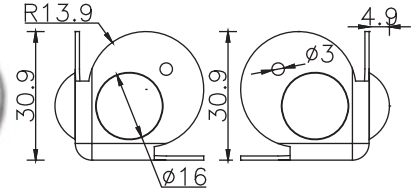
*Dimension: Millimeter



SMALL CORNER
SCR-001

Material: STEEL 0.8T
Finish: Zinc, Chrome, Black.....Plated
Weight: 16.9g

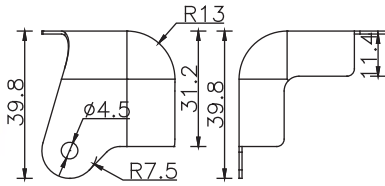
*Dimension: Millimeter



SMALL CORNER
SCR-005

Material: STEEL 1.0T
Finish: Zinc, Chrome, Black.....Plated
Weight: 17.5g

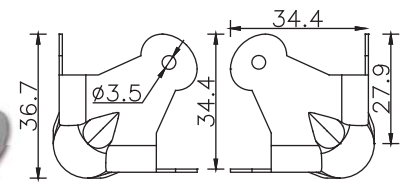
*Dimension: Millimeter



SMALL CORNER
SCR-002

Material: STEEL 0.8T
Finish: Zinc, Chrome, Black.....Plated
Weight: 14.8g

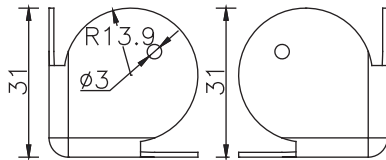
*Dimension: Millimeter



SMALL CORNER
SCR-006

Material: STEEL 0.8T
Finish: Zinc, Chrome, Black.....Plated
Weight: 12.5g

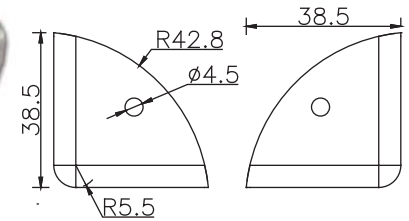
*Dimension: Millimeter



SMALL CORNER
SCR-003

Material: STEEL 1.0T
Finish: Zinc, Chrome, Black.....Plated
Weight: 17.7g

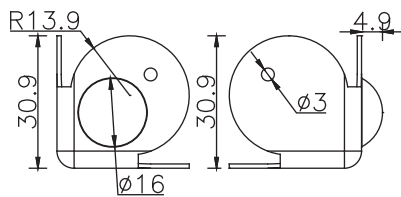
*Dimension: Millimeter



SMALL CORNER
SCR-007

Material: STEEL 0.8T
Finish: Zinc, Chrome, Black.....Plated
Weight: 15.2g

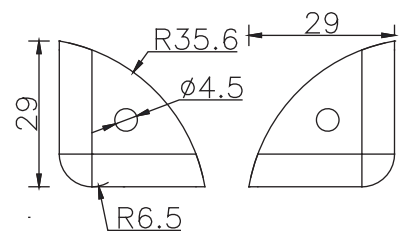
*Dimension: Millimeter



SMALL CORNER
SCR-004

Material: STEEL 1.0T
Finish: Zinc, Chrome, Black.....Plated
Weight: 18.4g


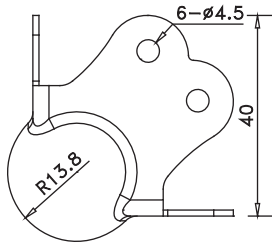
*Dimension: Millimeter



SMALL CORNER
SCR-008

Material: STEEL 0.7T
Finish: Zinc, Chrome, Black.....Plated
Weight: 7.8g


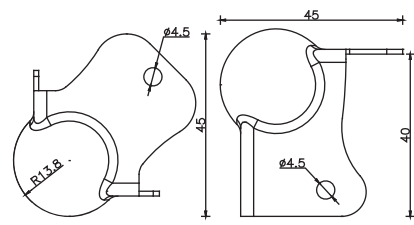
*Dimension: Millimeter

SMALL CORNER
SCR-009

Material : STEEL 1.2T
Finish : zinc, chrome Plated
Weight: 30.8g


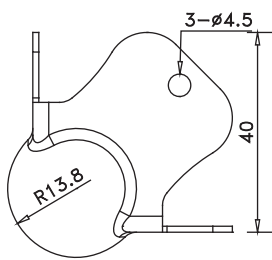
*Dimension: Millimeter

SMALL CORNER
SCR-013

Material : STEEL 1.2T
Finish : zinc, chrome Plated
Weight: 30.6g


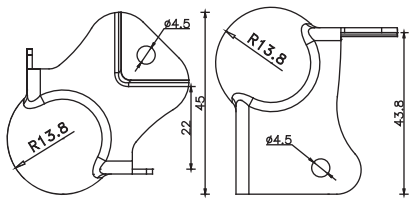
*Dimension: Millimeter

SMALL CORNER
SCR-010

Material : STEEL 1.2T
Finish : zinc, chrome Plated
Weight: 31.4g


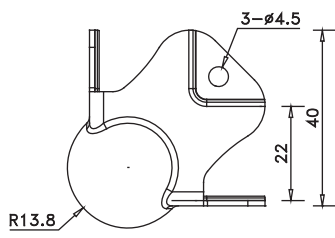
*Dimension: Millimeter

SMALL CORNER
SCR-014

Material : STEEL 1.2T
Finish : zinc, chrome Plated
Weight: 30.6g


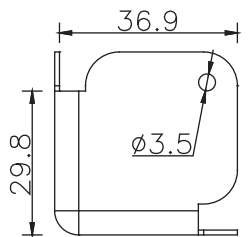
*Dimension: Millimeter

SMALL CORNER
SCR-011

Material : STEEL 1.2T
Finish : zinc, chrome Plated
Weight: 31.4g


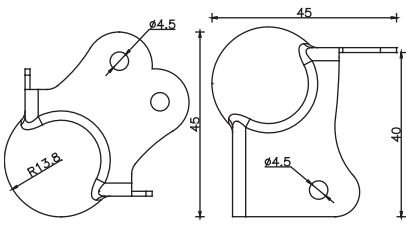
*Dimension: Millimeter

MEDIUM CORNER
MCR-001

Material: STEEL 1.0T
Finish: Zinc, Chrome, Black....Plated
Weight: 28.2g


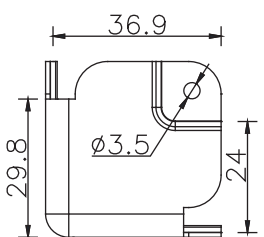
*Dimension: Millimeter

SMALL CORNER
SCR-012

Material : STEEL 1.2T
Finish : zinc, chrome Plated
Weight: 30.3g

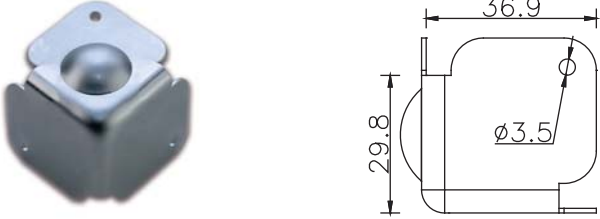
*Dimension: Millimeter

MEDIUM CORNER
MCR-002

Material: STEEL 1.0T
Finish: Zinc, Chrome, Black....Plated
Weight: 28.2g

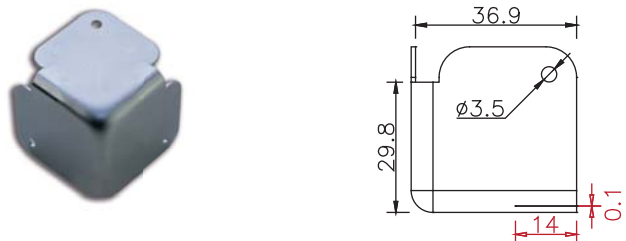
*Dimension: Millimeter



MEDIUM CORNER
MCR-003

Material: STEEL 1.0T
Finish: Zinc, Chrome, Black.....Plated
Weight: 28.2g

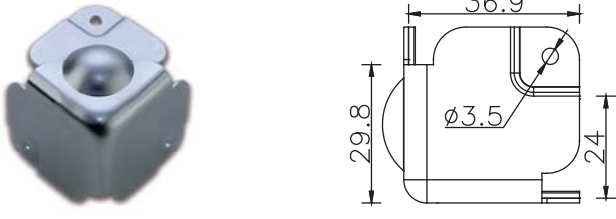
*Dimension: Millimeter



MEDIUM CORNER
MCR-007

Material: STEEL 1.0T
Finish: Zinc, Chrome, Black.....Plated
Weight: 28.2g

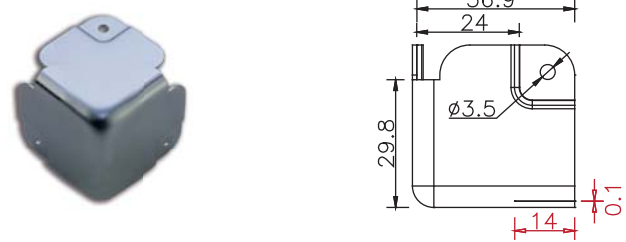
*Dimension: Millimeter



MEDIUM CORNER
MCR-004

Material: STEEL 1.0T
Finish: Zinc, Chrome, Black.....Plated
Weight: 28.2g

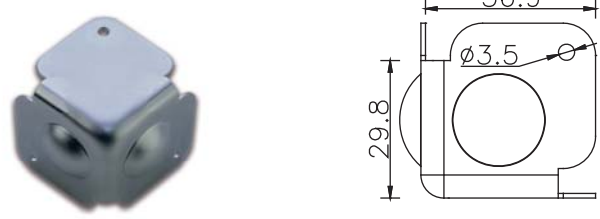
*Dimension: Millimeter



MEDIUM CORNER
MCR-008

Material: STEEL 1.0T
Finish: Zinc, Chrome, Black.....Plated
Weight: 28.2g

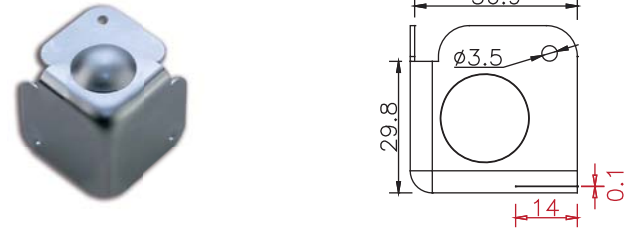
*Dimension: Millimeter



MEDIUM CORNER
MCR-005

Material: STEEL 1.0T
Finish: Zinc, Chrome, Black.....Plated
Weight: 28.2g

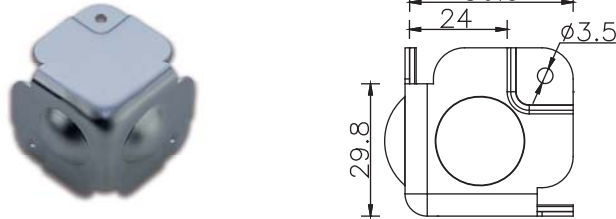
*Dimension: Millimeter



MEDIUM CORNER
MCR-009

Material: STEEL 1.0T
Finish: Zinc, Chrome, Black.....Plated
Weight: 28.2g

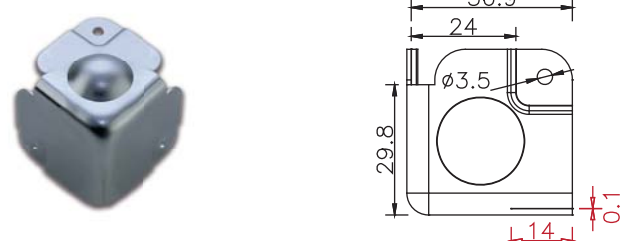
*Dimension: Millimeter



MEDIUM CORNER
MCR-006

Material: STEEL 1.0T
Finish: Zinc, Chrome, Black.....Plated
Weight: 28.2g

*Dimension: Millimeter



MEDIUM CORNER
MCR-010

Material: STEEL 1.0T
Finish: Zinc, Chrome, Black.....Plated
Weight: 28.2g

*Dimension: Millimeter

BRACE CORNER
BCR-001

Material: STEEL 0.8T
Finish: Zinc, Chrome, Black.....Plated
Weight: 8g

*Dimension: Millimeter

BRACE CORNER
BCR-005

Material: STEEL 1.2T
Finish: Zinc, Chrome, Black.....Plated
Weight: 10.6g

*Dimension: Millimeter

BRACE CORNER
BCR-002

Material: STEEL 0.8T
Finish: Zinc, Chrome, Black.....Plated
Weight: 8.3g

*Dimension: Millimeter

BRACE CORNER
BCR-006

Material: STEEL 1.5T
Finish: Zinc, Chrome, Black.....Plated
Weight: 44.8g

*Dimension: Millimeter

BRACE CORNER
BCR-003

Material: STEEL 1.0T
Finish: Zinc, Chrome, Black.....Plated
Weight: 28.6g

*Dimension: Millimeter

BRACE CORNER
BCR-007

Material: STEEL 1.2T
Finish: Zinc, Chrome, Black.....Plated
Weight: 25.6g

*Dimension: Millimeter

BRACE CORNER
BCR-004

Material: STEEL 1.6T
Finish: Zinc, Chrome, Black.....Plated
Weight: 44.7g

*Dimension: Millimeter

BRACE CORNER
BCR-008

Material: STEEL 1.2T
Finish: Zinc, Chrome, Black.....Plated
Weight: 18.2g

*Dimension: Millimeter

BRACE CORNER
BCR-009

Material: STEEL 1.2T
Finish: Zinc, Chrome, Black....Plated
Weight: 25.7g

*Dimension: Millimeter

BRACE CORNER
BCR-013

Material: STEEL 0.8T
Finish: Zinc, Chrome, Black....Plated
Weight: 6.1g

*Dimension: Millimeter

BRACE CORNER
BCR-010

Material: STEEL 1.2T
Finish: Zinc, Chrome, Black....Plated
Weight: 31.1g

*Dimension: Millimeter

BRACE CORNER
BCR-014

Material: STEEL 0.7T
Finish: Zinc, Chrome, Black....Plated
Weight: 11.5g

*Dimension: Millimeter

BRACE CORNER
BCR-011

Material: STEEL 1.2T
Finish: Zinc, Chrome, Black....Plated
Weight: 33.8g

*Dimension: Millimeter

BRACE CORNER
BCR-015

Material: STEEL 0.9T
Finish: Zinc, Chrome, Black....Plated
Weight: 16.7g

*Dimension: Millimeter

BRACE CORNER
BCR-012

Material: STEEL 1.2T
Finish: Zinc, Chrome, Black....Plated
Weight: 33.8g

*Dimension: Millimeter

BRACE CORNER
BCR-016

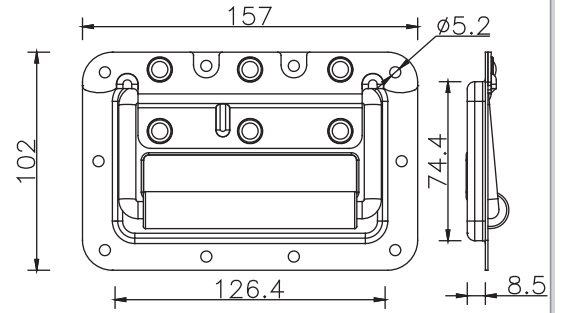
Material: STEEL 1.5 T
Finish: Zinc, Chrome, Black....Plated
Weight: 27.5g

*Dimension: Millimeter



SPRUNG HANDLE
SHD-001

Material: STEEL...
Finish: Zinc, Chrome, Black.....Plated
Weight: 370g

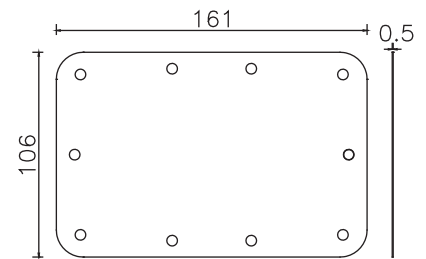


*Dimension: Millimeter



SPRUNG HANDLE(back plate)
SHD-001-1

Material: STEEL 0.5T
Finish: Natural
Weight: 65g

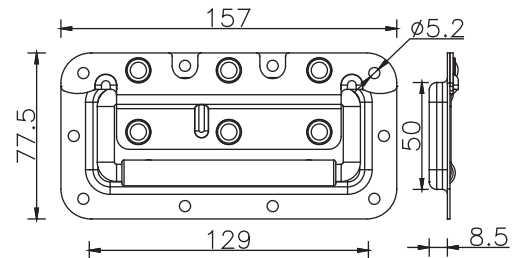


*Dimension: Millimeter



SPRUNG HANDLE
SHD-002

Material: STEEL...
Finish: Zinc, Chrome, Black.....Plated
Weight: 305g

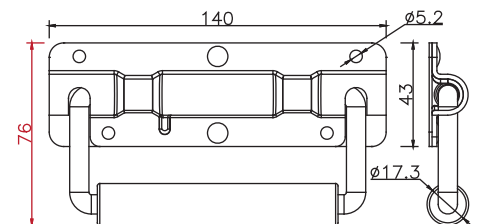


*Dimension: Millimeter



SPRUNG HANDLE
SHD-003

Material: STEEL...
Finish: Zinc, Chrome, BlackPlated
Weight: 300g

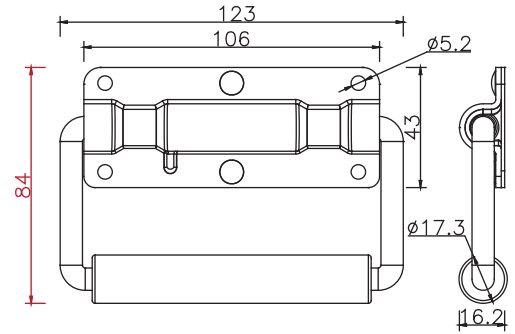


*Dimension: Millimeter



SPRUNG HANDLE
SHD-004

Material: STEEL...
Finish: Zinc, ChromePlated
Weight: 270g

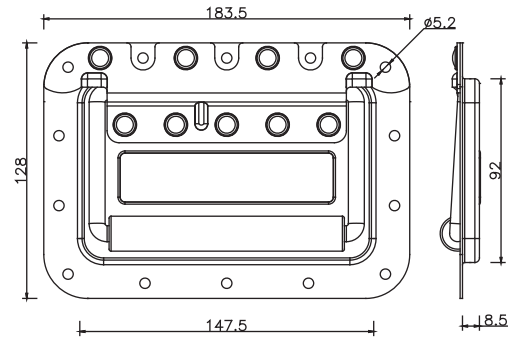


*Dimension: Millimeter



SPRUNG HANDLE
SHD-006

Material: STEEL...
Finish: Zinc, ChromePlated
Weight: 490g

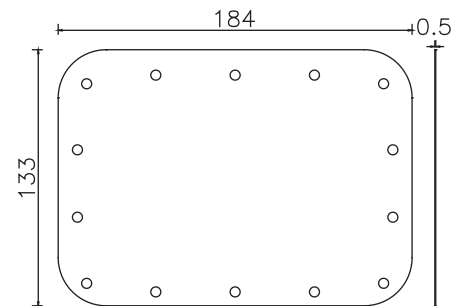


*Dimension: Millimeter



SPRUNG HANDLE(back plate)
SHD-006-1

Material: STEEL 0.5T
Finish: Natural
Weight: 65g

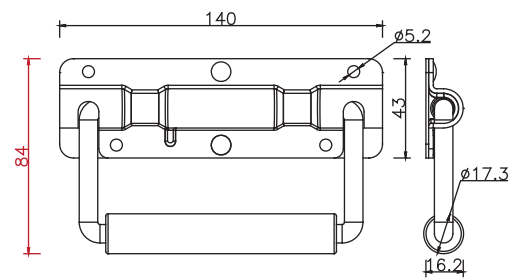


*Dimension: Millimeter



SPRUNG HANDLE
SHD-007

Material: STEEL...
Finish: Zinc, ChromePlated
Weight: 490g

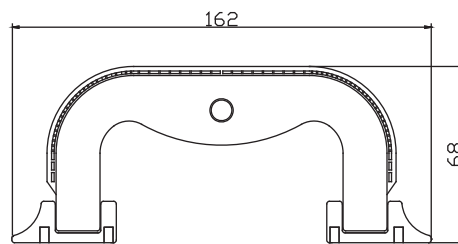


*Dimension: Millimeter



PLASTIC HANDLE
PHD-001

Material: ABS, PVC...
Bracket: Chrome, gold.... Plated
Weight: 38.9g

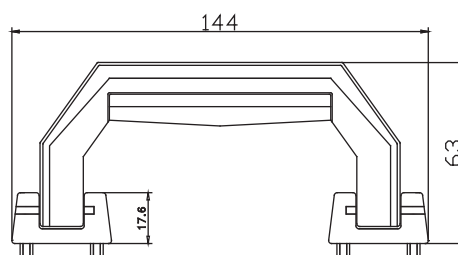


*Dimension: Millimeter



PLASTIC HANDLE
PHD-002

Material: PP, ABS...
Bracket: Chrome, gold.... Plated
Weight: 44.8g

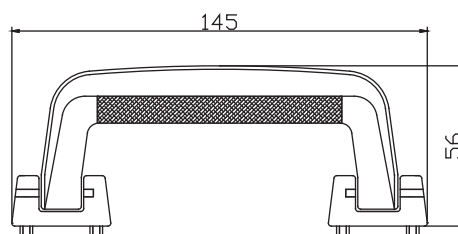


*Dimension: Millimeter



PLASTIC HANDLE
PHD-003

Material: PP, ABS...
Bracket: Chrome, gold.... Plated
Weight: 44.8g

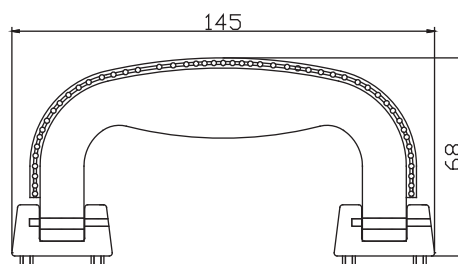


*Dimension: Millimeter



PLASTIC HANDLE
PHD-004

Material: PP, ABS
Bracket: Chrome, gold.... Plated
Weight: 56.9g

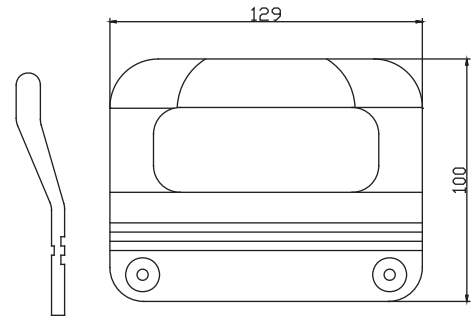


*Dimension: Millimeter



PLASTIC HANDLE
PHD-005

Material: PVC
Finish: Natural
Weight: 66.1g

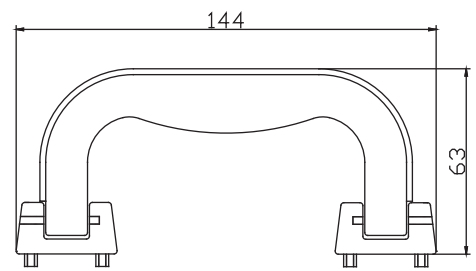


*Dimension: Millimeter



PLASTIC HANDLE
PHD-006

Material: PP, ABS...
BRACKET: Chrome, gold...plated
Weight: 47.5g

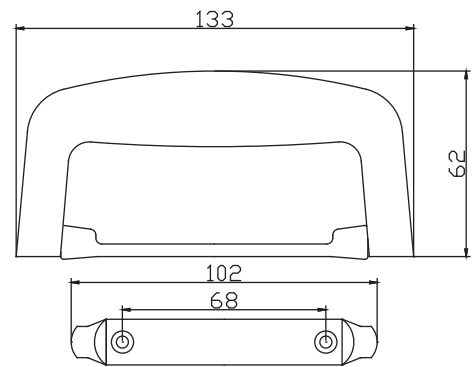


*Dimension: Millimeter



PLASTIC HANDLE
PHD-007

Material: PP, Steel...
Bracket: Chrome,GoldPlated
Weight: 32.8g

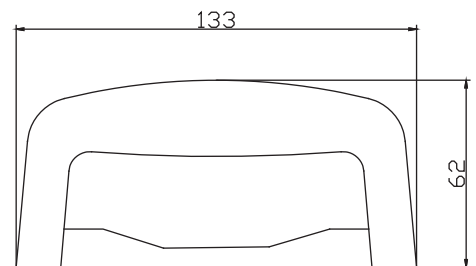


*Dimension: Millimeter



PLASTIC HANDLE
PHD-008

Material: PP, ABS...
Bracket: Chrome,GoldPlated
Weight: 14.8g

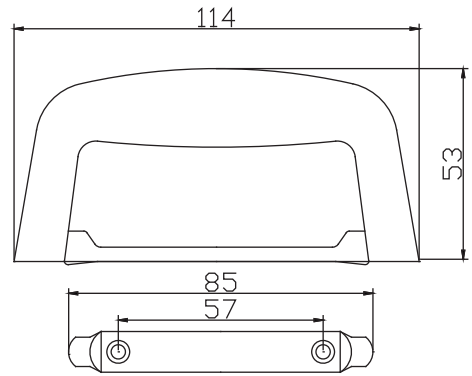


*Dimension: Millimeter



PLASTIC HANDLE
PHD-009

Material: PP, Steel...
Bracket: Chrome, GoldPlated
Weight: 53.6g

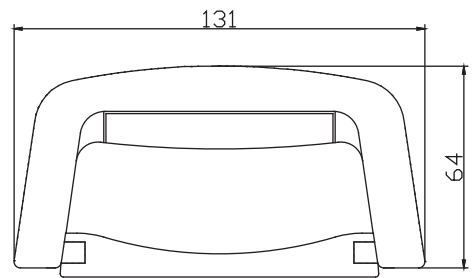


*Dimension: Millimeter



PLASTIC HANDLE
PHD-010

Material: PP, ABS...
Bracket: Chrome, GoldPlated
Weight: 65.3g

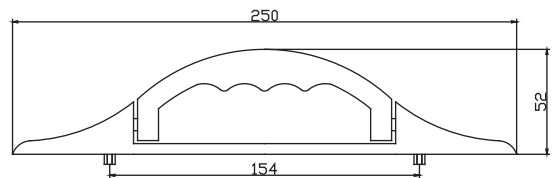


*Dimension: Millimeter



PLASTIC HANDLE
PHD-011

Material: PP, ABS...
Bracket: Chrome, GoldPlated
Weight: 66.3g

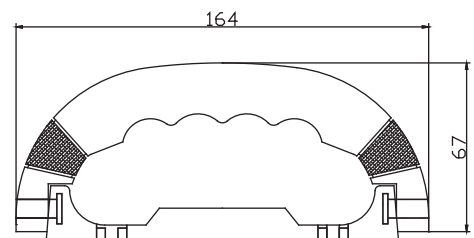


*Dimension: Millimeter



PLASTIC HANDLE
PHD-012

Material: PP, ABS...
Bracket: Chrome, GoldPlated
Weight: 87.4g

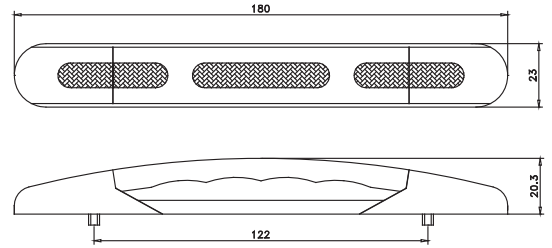


*Dimension: Millimeter



PLASTIC HANDLE
PHD-013

Material: PP, ABS...
Bracket: Chrome, GoldPlated
Weight: 44.6g

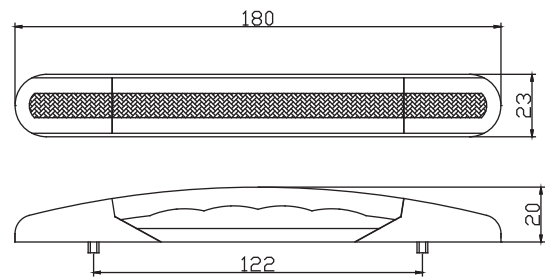


*Dimension: Millimeter



PLASTIC HANDLE
PHD-014

Material: PP, ABS...
Bracket: Chrome, GoldPlated
Weight: 14.8g

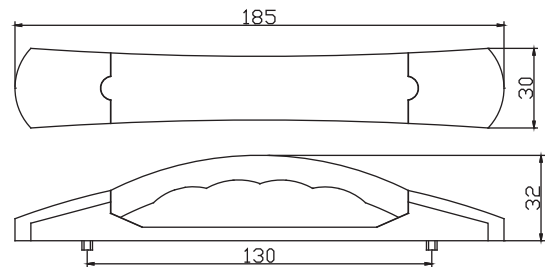


*Dimension: Millimeter



PLASTIC HANDLE
PHD-015

Material: PVC, ABS...
Bracket: Chrome, GoldPlated
Weight: 51.8g

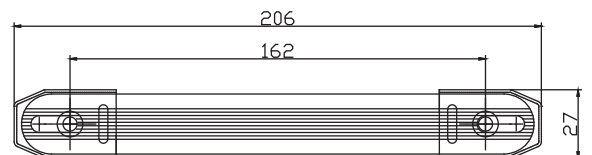


*Dimension: Millimeter



STRAP HANDLE
SHDE-001

Material: RUBBER, STEEL...
Bracket: Chrome, GoldPlated
Weight: 59.6g

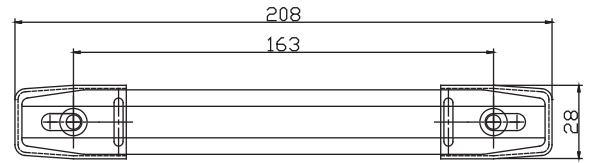


*Dimension: Millimeter



STRAP HANDLE SHDE-002

Material: RUBBER, STEEL
Bracket: Chrome, GoldPlated
Weight: 80.4g

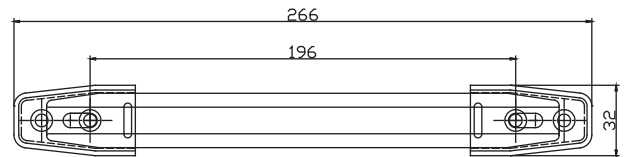


*Dimension: Millimeter



STRAP HANDLE SHDE-003

Material: RUBBER, STEEL
Bracket: Chrome, GoldPlated
Weight: 87g

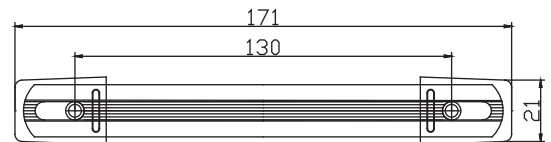


*Dimension: Millimeter



STRAP HANDLE SHDE-004

Material: RUBBER, STEEL
Bracket: Chrome, GoldPlated
Weight: 36g

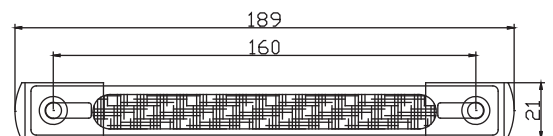


*Dimension: Millimeter



STRAP HANDLE SHDE-005

Material: RUBBER, STEEL
Bracket: Chrome, GoldPlated
Weight: 19g

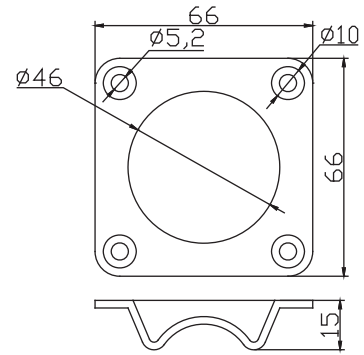


*Dimension: Millimeter



STACKING FOOT
STF-001

Material: STEEL 2.3T
Finish: Zinc, Chrome,Plated
Weight: 81.2g



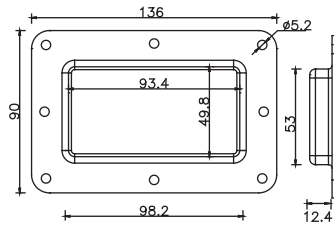
Use for female & male

*Dimension: Millimeter



CASTOR DISH
CAD-001

Material: STEEL 1.6T
Finish: Zinc, Chrome,Plated
Weight: 172g

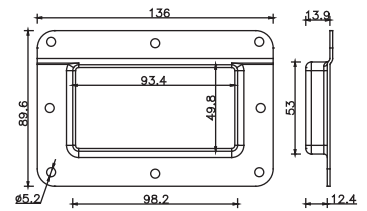


*Dimension: Millimeter

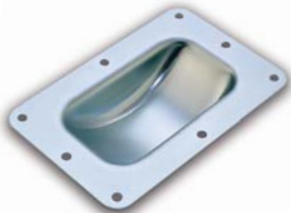


CASTOR DISH
CAD-001-1

Material: STEEL 1.6T
Finish: Zinc, Chrome,Plated
Weight: 172g

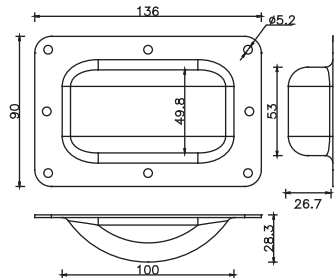


*Dimension: Millimeter



CASTOR DISH
CAD-002

Material: STEEL 1.6T
Finish: Zinc, Chrome,Plated
Weight: 182.8g

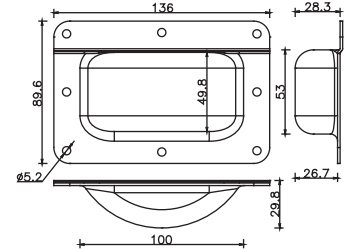


*Dimension: Millimeter



CASTOR DISH
CAD-002-1

Material: STEEL 1.6T
Finish: Zinc, Chrome,Plated
Weight: 182.8g

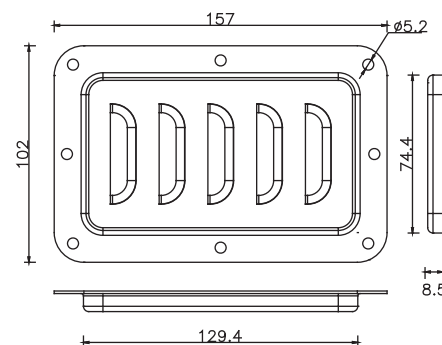


*Dimension: Millimeter



VENTILATION DISH
VED-001

Material: STEEL1.2T
Finish: Zinc, Chrome,Plated
Weight: 172.5g

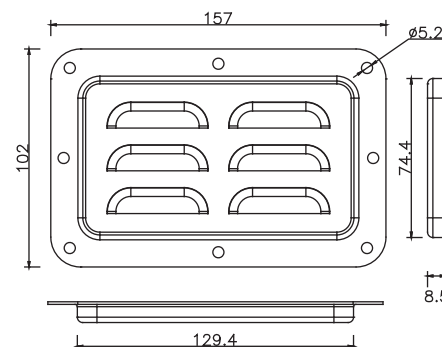


*Dimension: Millimeter



VENTILATION DISH
VED-002

Material: STEEL 1.6T
Finish: Zinc, Chrome,Plated
Weight: 175.6g

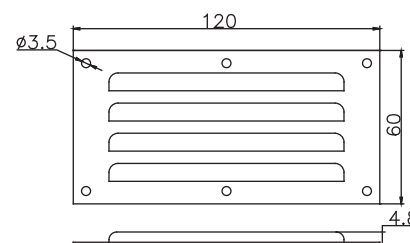


*Dimension: Millimeter

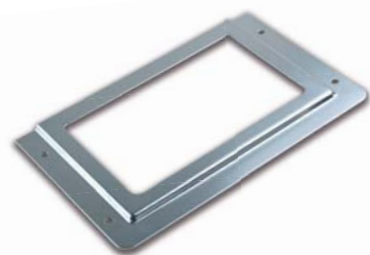


VENTILATION DISH
VED-003

Material: STEEL 0.8T
Finish: Zinc, Chrome,Plated
Weight: 47g

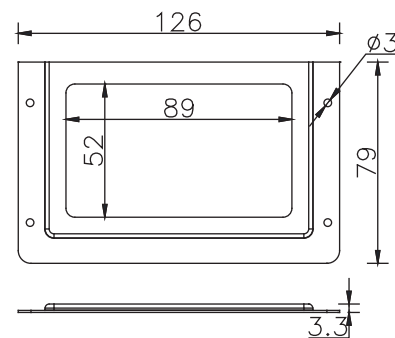


*Dimension: Millimeter



LABEL HOLDER
LAB-001

Material: STEEL 0.8T
Finish: Zinc, Chrome,Plated
Weight: 31.3g



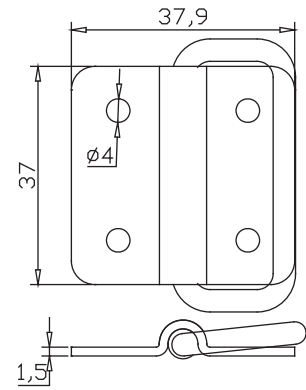
*Dimension: Millimeter



D-RING MOUNTING SHOULDER STRAP

DMSS-001

Material: STEEL 1.5T
Finish: Zinc, Chrome, Nickel.....Plated
Weight: 27g



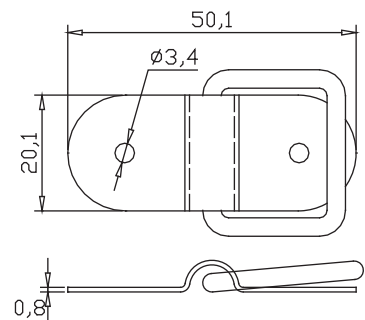
*Dimension: Millimeter



D-RING MOUNTING SHOULDER STRAP

DMSS-002

Material: STEEL 0.8T
Finish: Zinc, Chrome, NickelPlated
Weight: 11.5g



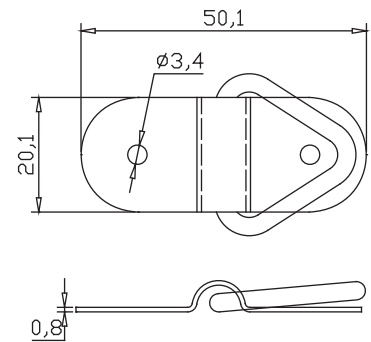
*Dimension: Millimeter



D-RING MOUNTING SHOULDER STRAP

DMSS-003

Material: STEEL 0.8T
Finish: Zinc, Chrome, Nickel.....Plated
Weight: 10.5g



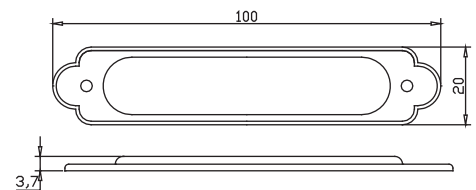
*Dimension: Millimeter



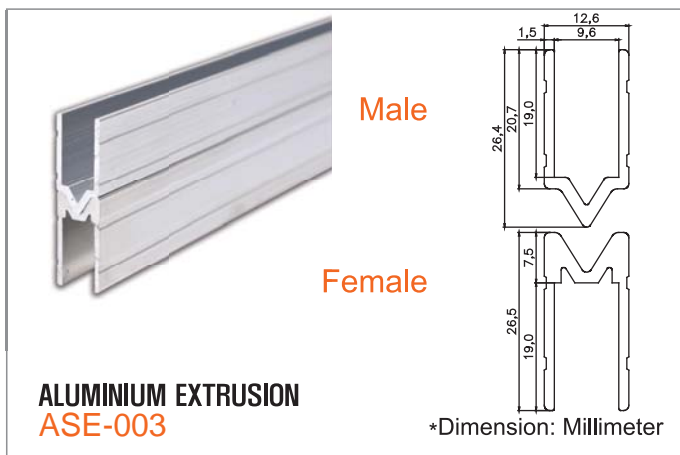
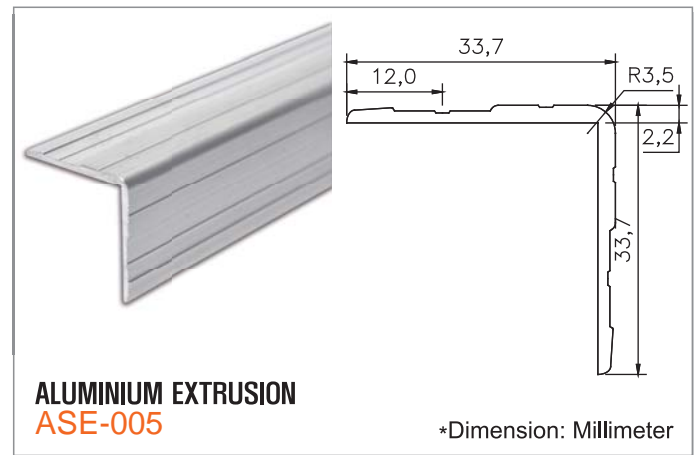
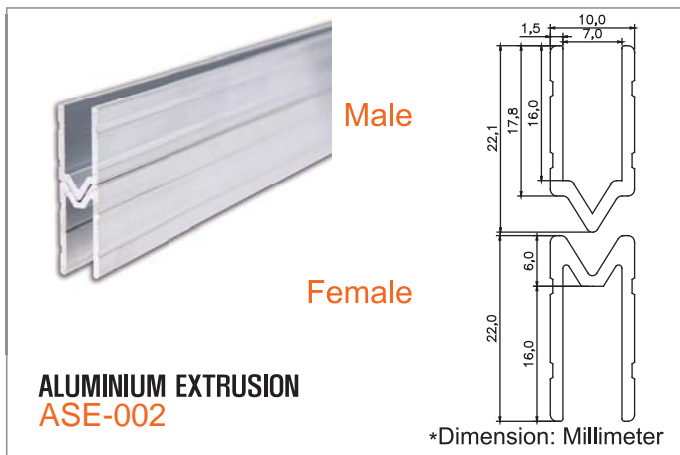
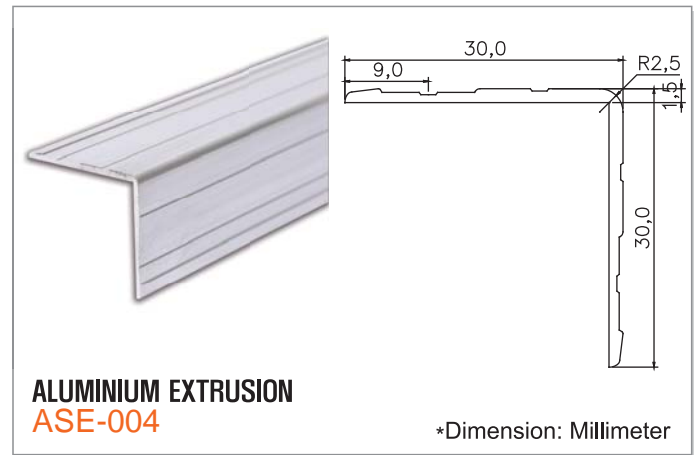
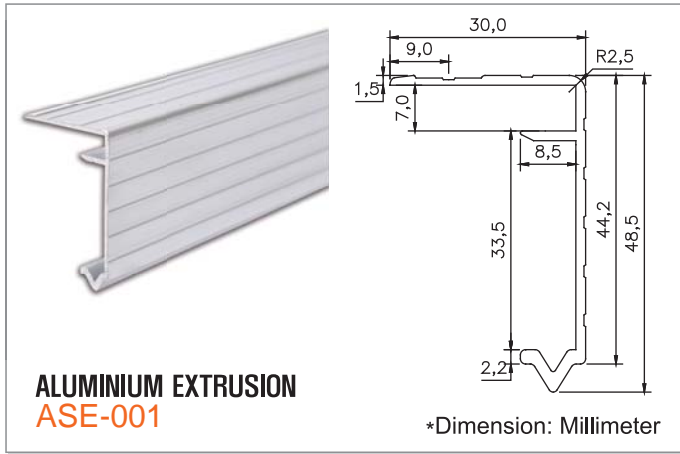
BED PLATE

BPL-001

Material: STEEL 0.8T
Finish: Zinc, Chrome, Nickel.....Plated
Weight: 7.5g



*Dimension: Millimeter



Plastazote® Foam



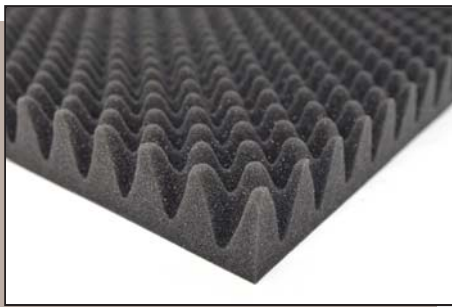
No	D(mm)	T(mm)	kg/m³	Designation
POF-08264	1000x2000	5	29	Plastazote® LD29 black
POF-08268	1000x2000	10	29	Plastazote® LD29 black
POF-08271	1000x2000	15	29	Plastazote® LD29 black
POF-08274	1000x2000	20	29	Plastazote® LD29 black
POF-08276	1000x2000	25	29	Plastazote® LD29 black
POF-08278	1000x2000	30	29	Plastazote® LD29 black
POF-08282	1000x2000	40	29	Plastazote® LD29 black
POF-08284	1000x2000	50	29	Plastazote® LD29 black
POF-08286	1000x2000	60	29	Plastazote® LD29 black
POF-08287	1000x2000	70	29	Plastazote® LD29 black
POF-08288	1000x2000	80	29	Plastazote® LD29 black
POF-08290	1000x2000	100	29	Plastazote® LD29 black

Microlen® Foam



No	D(mm)	T(mm)	kg/m³	Designation
PEF-08261	1000x2000	20	100	MICROLEN® dark grey
PEF-08260	1000x2000	40	100	MICROLEN® dark grey

Eggbox Foam



No	D(mm)	T(mm)	kg/m³	Designation
EGF-08040	1000x2000	40	22	Noppenschaum/ Eggbox PU Soft foam dark grey

Grooved Foam



No	D(mm)	T(mm)	kg/m³	Designation
NUT-08216	1000x2000	10	42	PE Foam grooved dark grey for 4mm
NUT-08218	1000x2000	15	42	PE Foam grooved dark grey for 7mm

Cubed Foam



No	D(mm)	T(mm)	kg/m ³	Designation
RAS-08345	1000x600	40		PU soft foam Cubed dark grey 15mm squares

Composite Foam



No	D(mm)	T(mm)	kg/m ³	Designation
VER-08332	1000x2000	20	120	Verbundschaum/ composite foam
VER-08331	1000x2000	30	120	Verbundschaum/ composite foam

Soft Foam



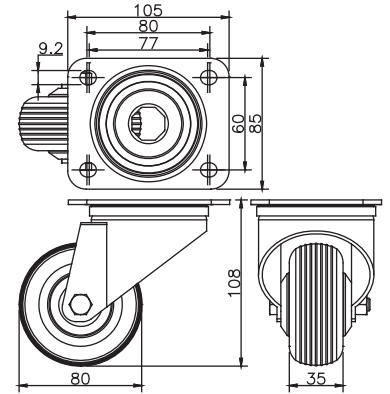
No	D(mm)	T(mm)	kg/m ³	Designation
WEI-08008	1000x2000	10	22	PU Soft foam dark grey
WEI-08012	1000x2000	15	22	PU Soft foam dark grey
WEI-08016	1000x2000	20	22	PU Soft foam dark grey
WEI-08020	1000x2000	30	22	PU Soft foam dark grey
WEI-08024	1000x2000	40	22	PU Soft foam dark grey
WEI-08028	1000x2000	50	22	PU Soft foam dark grey



CTW-001-80

80mm Swivel-Castor-**Tente**
 Carry Weight per set 400kg (4 wheels)
 per Wheel 100kg
 PVC Rubber Wheel black
 Wheel Color option: blue, grey

* Castors available in other qualities and Castor diameter



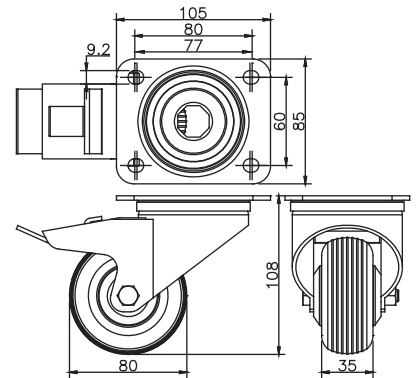
*Dimension: Millimeter



CTW-002-80

80mm Braked Swivel-Castor-**Tente**
 Carry Weight per set 400kg (4 wheels)
 per Wheel 100kg
 PVC Rubber Wheel black
 Wheel Color option: blue, grey

* Castors available in other qualities and Castor diameter



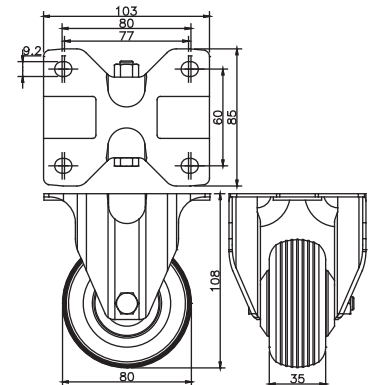
*Dimension: Millimeter



CTW-003-80

80mm Fixed-Castor-**Tente**
 Carry Weight per set 400kg (4 wheels)
 per Wheel 100kg
 PVC Rubber Wheel black
 Wheel Color option: blue, grey

* Castors available in other qualities and Castor diameter



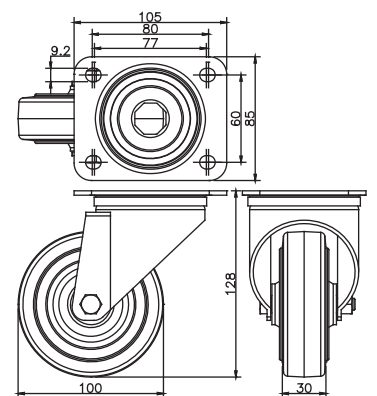
*Dimension: Millimeter



CTW-004-100

100mm Swivel-Castor-**Tente**
 Carry Weight per set 640kg (4 wheels)
 per Wheel 160kg
 PVC Rubber Wheel grey
 Wheel Color option: black, blue

* Castors available in other qualities and Castor diameter



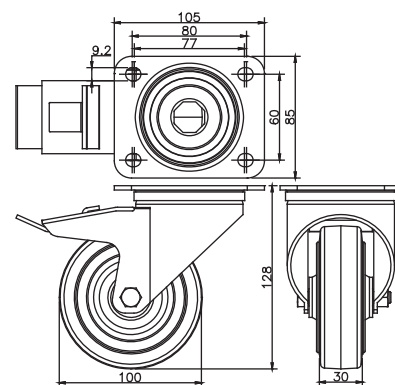
*Dimension: Millimeter



CTW-005-100

100mm Braked-Swivel-Castor-Tente
Carry Weight per set 640kg (4wheels)
per Wheel 160kg
PVC Rubber Wheel grey
Wheel Color option: black, blue

* Castors available in other qualities and Castor diameter



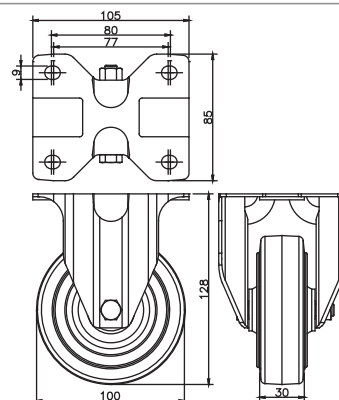
*Dimension: Millimeter



CTW-006-100

100mm Fixed-Swivel-Castor-Tente
Carry Weight per set 640kg (4 wheels)
per Wheel 160kg
PVC Rubber Wheel grey
Wheel Color option: black, blue

* Castors available in other qualities and Castor diameter



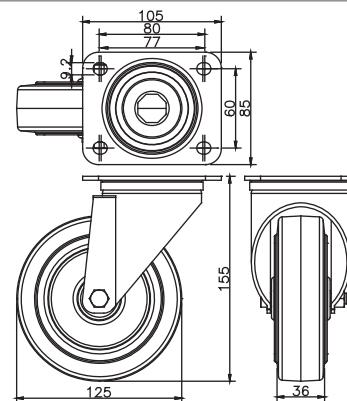
*Dimension: Millimeter



CTW-007-125

125mm Swivel-Castor-Tente
Carry Weight per set 1000kg (4 wheels)
per Wheel 250kg
PVC Rubber Wheel grey
Wheel Color option: black, blue

* Castors available in other qualities and Castor diameter



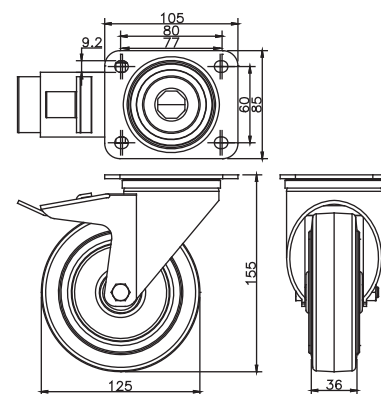
*Dimension: Millimeter



CTW-008-125

125mm Braked-Swivel-Castor-Tente
Carry Weight per set 1000kg (4 wheels)
per Wheel 250kg
PVC Rubber Wheel grey
Wheel Color option: black, blue

* Castors available in other qualities and Castor diameter



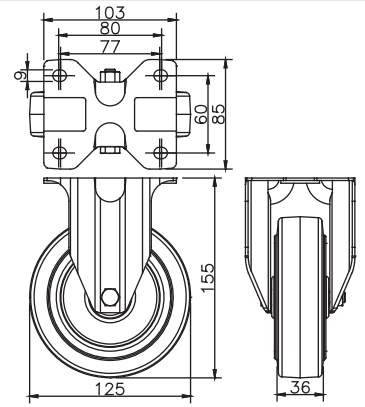
*Dimension: Millimeter



CTW-009-125

125mm Braked-Swivel-Castor- **Tente**
Carry Weight per set 1000kg (4 wheels)
per Wheel 250kg
PVC Rubber Wheel grey
Wheel Color option: black, blue

* Castors available in other qualities
and Castor diameter

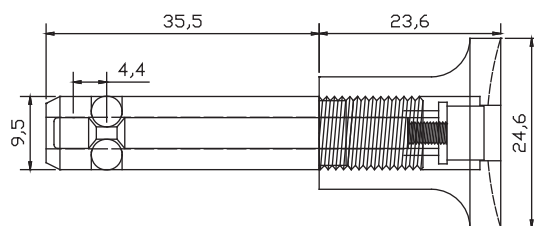


*Dimension: Millimeter



AMP KEY
AMK-001

Material: Steel, Aluminium...
Weight: 44.3g

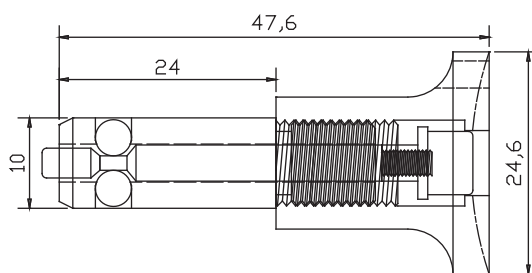


*Dimension: Millimeter



AMP KEY
AMK-002

Material: Steel, Aluminium...
Weight: 31.7g

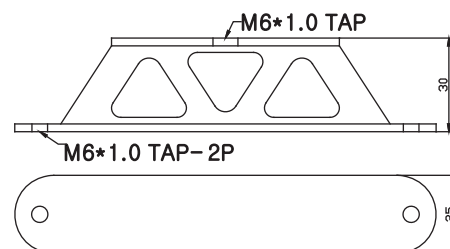


*Dimension: Millimeter

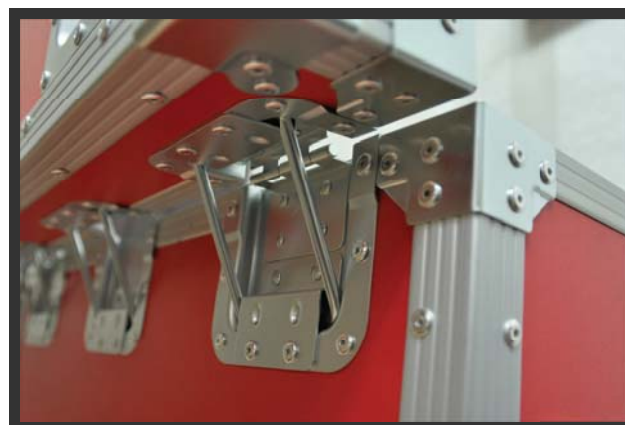
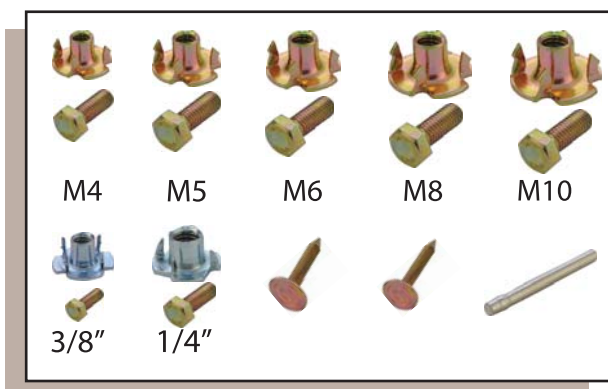


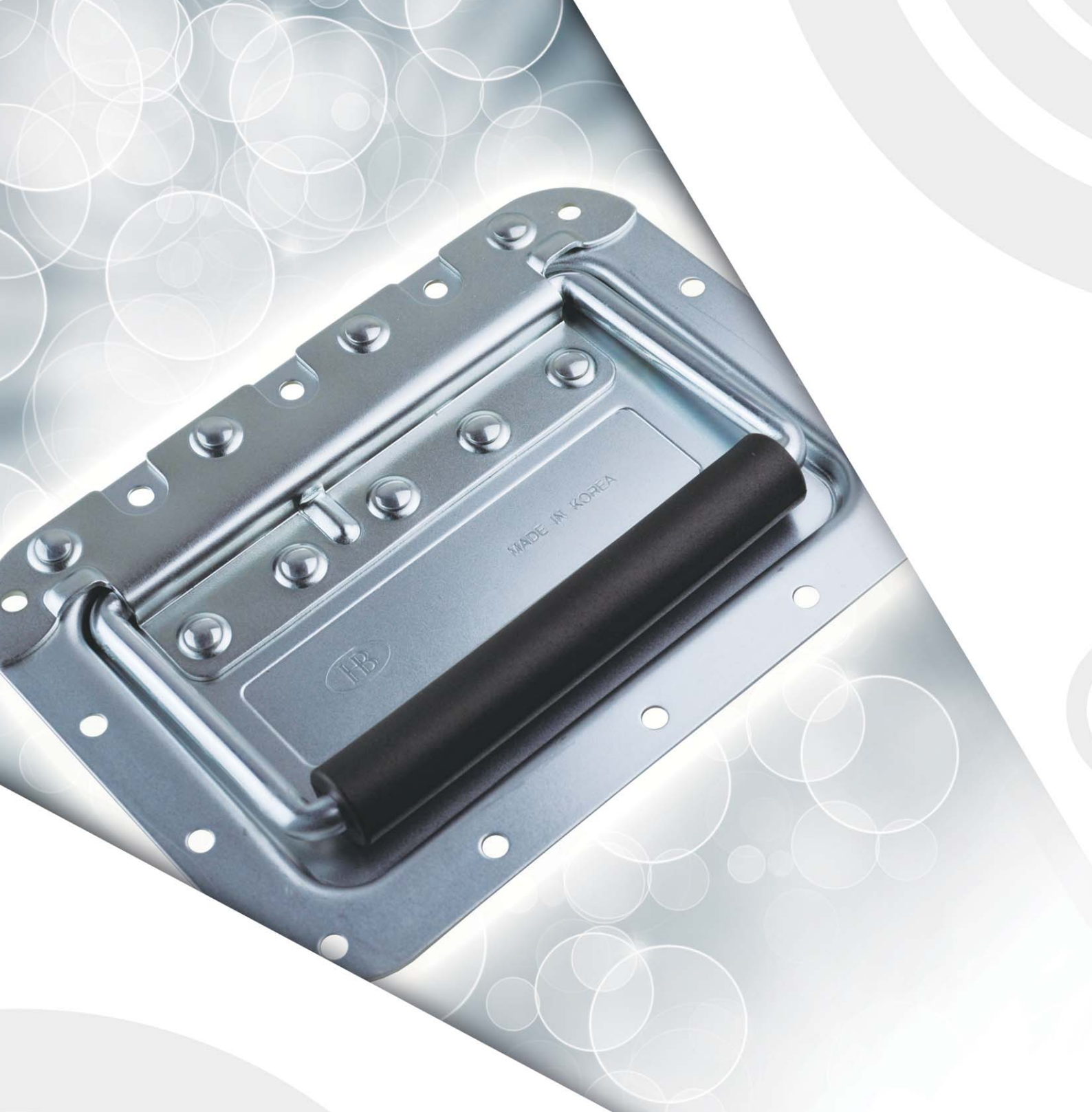
BUFFER
RTS-001

Material: STEEL, RUBBER
Finish: Zinc Plated
Weight: 150g



*Dimension: Millimeter





The Original Masterpiece
Honey Bee

Manufacturer

Joong-Ang Metal co ., Ltd
295-8 ,Gowup-Dong Yangju-City,
KOREA (482-020)

TEL : +82 (0) 31-841-7746~7
FAX : +82 (0) 31-847-7532

E-mail : honeybee@solidplex.com
website : www.ja-honeybee.com

SOLIDPLEX®

European Headquater

Solidplex GmbH
Laurentiusstr. 39
63897 Miltenberg Germany

Telfon : +49 (0) 9371-66 929 41
Telefax: +49 (0) 9371-66 929 46

E-mail : kontakt@solidplex.de
website : www.solidplex.de
www.solidplex.com